

Owners Manual
Guide du propriétaire
TX Series / Série TX



Model / Modèle:

TX 1440, Standard Mode / Mode standard
TX 1440, Saltless Mode / Mode sans sel

TABLE OF CONTENTS

1.0 General Information

About this Manual	3
Reverse Osmosis Technology	4
The TX Series Membrane System	5
System Sizing	7

2.0 Equipment Specifications

System Configuration	8
Operating Specifications	8
Component Functionality	10

3.0 Installation

Getting Started	12
Pre-installation Review	12
TX RO Installation	12
Unpacking	12
Positioning	13
Plumbing Hook-ups	13
Electrical Connection	14
System Controls Operation	14
Optional Atmospheric Tanks Installation	15
Tank Connection	15
High Level Control Connection	15
Optional Captive Air (Bladder) Tank Installation	16

4.0 Operation and Maintenance

System Commissioning	17
----------------------------	----

5.0 Parts18

6.0 Troubleshooting20

7.0 Notes22

8.0 Version FrancaiseF1

ABOUT THIS MANUAL

This manual will cover information needed for the proper installation and operation of your Kinetico TX Series Commercial Reverse Osmosis System. We have also included information regarding the frequently asked questions about reverse osmosis systems. This information may be more technical in nature, but provides further insight to the continued operation of this equipment to its highest standards.

This manual will use various icons to help highlight issues that are relevant to the safe operation of this equipment. The following icons will be used as described:



General information regarding the application of this product will be highlighted by this icon. This will include technical specifications and expected operational results.



A caution icon will be used to present any information that may hold a potential hazard or concern during the installation, use or maintenance of this product. **Should this information not be followed, it may result in damage of this equipment and its surroundings.**



The warning icon will be used to present any information that may result in a severe hazard or concern during the installation, use or maintenance of this product. **Should this information not be followed, it may result in severe physical harm.**



Any tools or materials required during the installation, use or maintenance of this equipment will be preceded by this icon. Using these specific tools will minimize time and effort. Not using the proper tool may result in damage to this equipment, its surroundings or even physical harm.

If there are any additional questions pertaining to this equipment, please contact your local Kinetico Dealer for further assistance.

REVERSE OSMOSIS TECHNOLOGY

In the early 1960s, the use of reverse osmosis (RO) began its commercial debut. Before this time, the technology had been used by the U.S. military for the purification of water for troops. Since its introduction into the market, RO has continued to gain popularity. RO technology offers the finest level of filtration available. The RO membrane acts as a barrier to dissolved salts and inorganic molecules, as well as organic molecules with a molecular weight greater than approximately 100. Water molecules, on the other hand, pass freely through the membrane creating a purified product stream.

The applications for RO are diverse and include desalination of sea water or brackish water for drinking purposes, food and beverage processing, purification of home drinking water and many others. Utilizing RO prior to Ion Exchange (IX) for the production of ultra high water qualities dramatically reduces operating costs and regeneration frequency of the IX system. Pressures associated with RO systems can range from 40 psi for tap water s

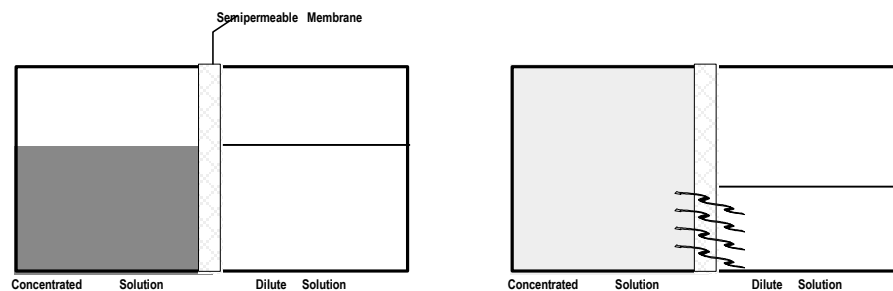


Figure 1

RO technology is not new. The process of osmosis is actually found in nature and in the human body. In this application human membranes allow nutrients or waste products to pass in and out of the blood stream. “Semipermeable” means that the membrane is permeable to some species and not permeable to others. Most semipermeable membranes allow water to pass through and not other molecules or ions. Figure 1 shows a concentrated solution will increase in volume as water from the dilute solution permeates through the membrane. In this fashion, the concentrations on either side of the membrane become equal, even though the volumes are not.

This dilution relationship can be quantified by the rise in the height of the salt solution. This height will increase until the pressure of the column of water (salt solution) is so high that the force of this water column stops the water flow. The equilibrium point of this water column height in terms of water pressure against the membrane is called osmotic pressure.

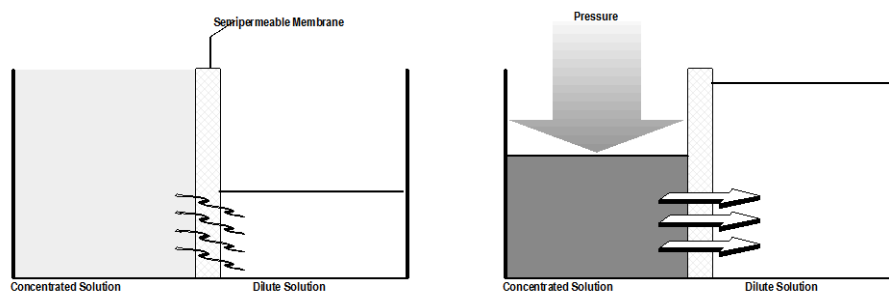


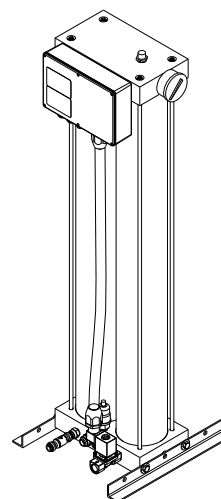
Figure 2

Reverse osmosis (Figure 2) is created if a force is applied to this column of water. Thus the direction of water flow through the membrane can be reversed. This is the basis of the term reverse osmosis. This reversed flow produces “permeate” water from the salt solution, since the membrane does not permit most salt to pass through it. The typical rejection of a semipermeable membrane is over 95%. This means that it will reject 95% of the salts and let 5% pass through.

THE TX SERIES MEME

The TX RO is an advanced system using concerns. The capabilities of the system requirements. This feature allows for opti local dealer network, to take care of nearl check-ups.

The TX uses reverse osmosis technology feed stream. The system uses spiral wot water. The permeate water from the syst the total dissolved solids level (TDS) from concentrated minerals that have not beer



System Options

Depending on the inlet characteristics of Series Reverse Osmosis System. The c been listed. Should you require further in Kinetico Dealer.

Pretreatment

Depending on your application and inlet water conditions, additional pretreatment equipment may be required with the TX RO system. The design of the TX unit allows this pre-filtration to be flexible to your exact needs.

Three levels of pretreatment equipment are possible with the TX:

Prefilter

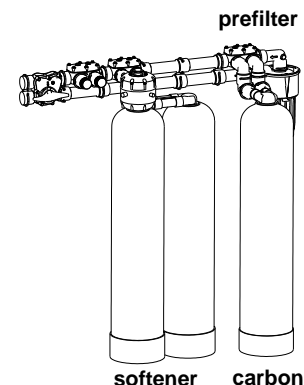
Pre-filtration is recommended down to 5 microns to maximize the life of the system's membranes. This filtration requirement can be handled by a Kinetico filter system or equivalent filter capable of 5 micron filtration at 5 gpm.

Carbon

Applications that contain oxidizers (such as chlorine or chloramines) in the inlet water require treatment for the removal of these oxidizers. Kinetico offers a full range of dechlorination products suitable for pretreatment to the TX RO.



The maximum influent level of any oxidizer to the TX RO is 0.05 mg/L. Prolonged exposure to excessive levels of chlorine will cause membranes to be destroyed. If this occurs, the only remedy would be to replace the membranes.



Softening – Hardness and Iron Treatment

While the TX can be configured to run process water without a softener, in some applications a softener may be preferred as a pretreatment option. If hardness levels exceed 4 gpg (70 mg/L as CaCO₃) or if clear iron over 0.2 mg/L is present, it will reduce the service life of the membrane.

To minimize concerns of hardness, two configuration options are possible;

Saltless Mode

In TX's saltless mode, the purge factor for the system is increased to compensate for scaling issues.

Softener Mode

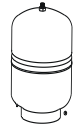
Incorporation of a softener is the more traditional configuration for a membrane system's pretreatment. With this option, Kinetico carries a full line of softeners to meet any hardness pretreatment condition for the TX RO.

Storage and Repressurization

For operation in whole house applications, a storage tank is required to store water and then deliver it at a desired pressure. Two alternatives for storage tanks are available;

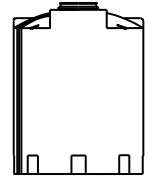
Hydro Pneumatic Tank

This tank type is closed and pressurized using an internal air charge to create the delivery pressure for the stored water.



Atmospheric Tank

An atmospheric tank is closed and includes an air vent so that the water can be added or removed from the tank without creating pressure. The advantage of this tank type is that venting eliminates any backpressure on the TX unit, thus increasing the TX system's operating production and efficiency. When using an atmospheric tank, an external repressurization pump is used to remove water from the tank and pressurize it throughout your home.



Post Treatment

Ozonation

With the use of atmospheric tanks, ozonation can be used as a source for continuous disinfection of the water, or as an added method in the treatment of some contaminants not treated by the TX membrane system. This includes contaminants such as sulfur as well as some organics.

UltraV

As an optional disinfection process for the system, a Kinetico UltraV system can be used to provide ultra violet sterilization to the treated water.

Hydrogen Sulfide Treatment

In applications with significant sulfur concerns (> 5 mg/L) a Hydrogen Sulfide polishing filter can be effectively used after the TX system to rid the water completely of any residual hydrogen sulfide.

Mineralization

The TX system is effective in removing most everything from the water, but some customers prefer the consumption of mineralized water. Adding low levels of minerals after the TX will still provide you the benefits of soft water throughout your home, and the mineral contact will give a bottled water taste to every tap in your home.

SYSTEM SIZING

In sizing the TX RO, the output production based on average system operating conditions (and depending on some factors) can change significantly.

Factors that must be examined include:

Water Temperature

This is the temperature of the water prior to entering the unit. The unique design of the TX RO will transfer excess energy from the pump in the form of heat to the water as a part of its normal function. This process will slightly increase the internal temperature of the water processed by the TX system, allowing it to permeate more water. This added heat is incorporated into the product chart shown.

Working Pressure

The working pressure can be calculated using (4) pressure measurements:

$$\begin{aligned} \text{Working pressure} &= \text{System Pressure} + \text{Inlet Pressure} - \text{Osmotic Pressure} - \text{Back Pressure} \\ &\quad - \text{or -} \\ \text{Working Pressure} &= 60 + \text{IP} - \text{OP} - \text{BP} \end{aligned}$$

The **System Pressure (SP)** is equivalent to the boost pressure of the TX RO's pump. For the TX 1440, this factor is 60 psi.

The **Inlet Pressure (IP)** is the dynamic pressure feeding the RO system. This pressure should be either measured while the TX RO system is operating or when 3 gpm is flowing from the main feed line.

The **Osmotic Pressure (OP)** can be calculated based on the inlet or feed TDS of the water. The $OP = TDS / 100$.

The **Back Pressure (BP)** is determined by the type of storage tank connected to the system.

If an atmospheric storage tank is used, then $BP = \text{tank height} / 2.3$.

If a hydropneumatic tank is used, then $BP = \text{the average pressure between the tank's on/off set-point } 40/60 = 50$.

Production Chart

Daily Production Rates (gallons / day)

		Water Temperature (°F)					
		40	50	60	70	80	90
Working Pressure (psi)	70	619	792	979	1,210	1,440	1,714
	80	703	887	1,117	1,382	1,613	1,958
	90	791	998	1,257	1,555	1,814	2,203
	100	878	1,109	1,397	1,728	2,016	xx
	110	966	1,220	1,536	1,901	2,218	xx
	120	1,054	1,331	1,676	2,074	xx	xx
	130	1,142	1,441	1,816	2,246	xx	xx

SYSTEM SPECIFICATIONS

General operating parameters for the TX RO product line have been listed in the table below. These specifications have been provided to express the required conditions for the operation of this system. If there are other parameters that you may be concerned about, please contact your local Kinetico Dealer for further operating or performance data.

System Components

Inlet Valve.....	1/2" Stainless Steel Solenoid Valve
Pressurization Pump.....	Multi-stage Submersible Pump
Motor.....	3/4" HP NEMA Motor
Membrane Housing (qty.)	(1) PVC
Primary Membrane (qty)	(1) Thin Film Composite 4.0 x 40" (85 ft ²)
Recirculation Control	Fixed Orifice
Drain Control	Fixed Orifice
Low Pressure Protection.....	15 psi (1.0 bar) Cut-off Switch
System Shutoff Control.....	N.O. Contact, Close to Shutoff
System Controller.....	Electronic Circuit Board

Inlet Water Quality

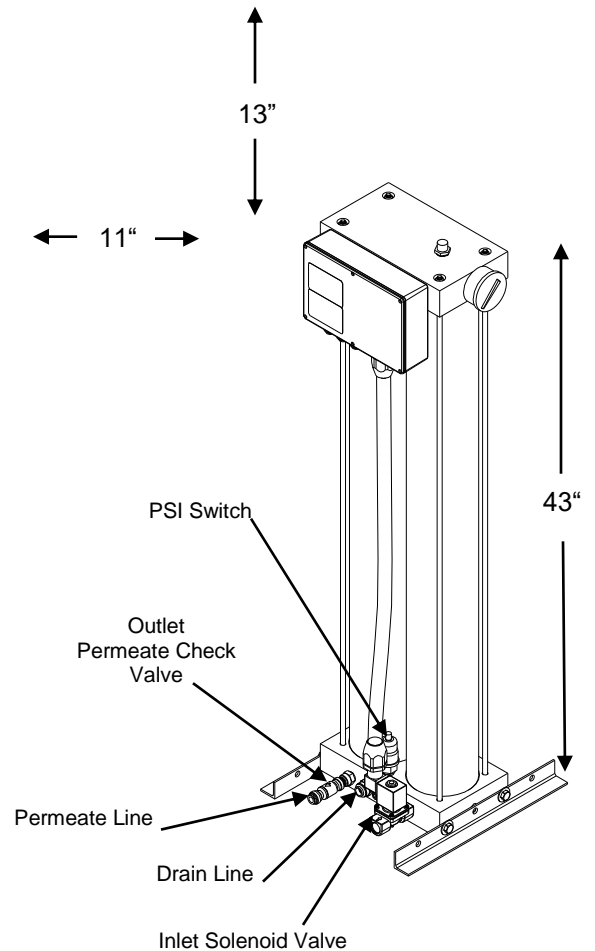
Inlet Flow Rate.....	3 gpm
Inlet Flow Rate – Saltless Mode.....	6 gpm
Operating Pressure Range	25 – 70 psi Dynamic Pressure
Temperature Range.....	35 – 90° F
pH Range	4 – 10 SU
Free Chlorine Cl ₂ (Max.)	<0.05 mg/L
Hardness as CaCO ₃ (Max.)	<4 gpg
Hardness as CaCO ₃ (Max.) – Saltless Mode	<30 gpg
Silica (Max.).....	<10.0 mg/L
Iron as Fe (Max.)	<0.2 mg/L
Total Dissolved Solids (TDS) as NaCl (Max.).....	<2,500 mg/L

Operating Specs

Daily Commercial Production (77° F, 500 mg/L Feed Water) ..	2,000 gallons/day
Daily Residential Production (77° F, 500 mg/L Feed Water).....	500 gallons/day
Permeate Flow Rate.....	1.4 gpm
Reject Flow Rate	1.4 gpm
Permeate Flow Rate – Saltless Mode	1.2 gpm
Reject Flow Rate – Saltless Mode	5 gpm
Reject Rate (NaCl / CaCO ₃).....	92% / 98%
Dimensions (Width x Depth x Height)	11" x 13" x 43"
Weight (Operating / Shipping).....	100 / 80 lbs.
Maximum Operating Pressure	130 psi

Connections

Inlet	1/2" FNPT
Permeate.....	3/8" Tube
Drain Connection.....	1/2" Tube
Power	230 VAC / 60 Hz, 8 Amps

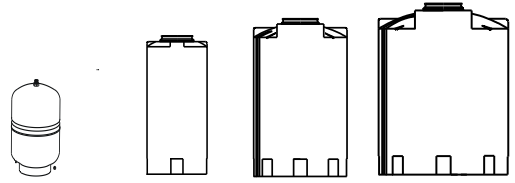


Production Chart (To Atmospheric Tank)

Temp.	500 mg/L	Recovery % Standard	Recovery % Saltless	1,000 mg/L	Recovery % Standard	Recovery % Saltless	2,000 mg/L	Recovery % Standard	Recovery % Saltless
40° F	900 gpd	30	11	830 gpd	28	10	690 gpd	25	9
50° F	1,160 gpd	36	13	1,060 gpd	35	12	880 gpd	30	10
60° F	1,400 gpd	40	16	1,280 gpd	38	15	1,060 gpd	35	12
70° F	1,700 gpd	45	20	1,540 gpd	42	18	1,260 gpd	38	15
80° F	2,000 gpd	50	23	1,860 gpd	47	22	1,480 gpd	42	17

(To Pressurized Storage Tank 30/50)

Temp.	500 mg/L	Recovery % Standard	Recovery % Saltless	1,000 mg/L	Recovery % Standard	Recovery % Saltless	2,000 mg/L	Recovery % Standard	Recovery % Saltless
40° F	510 gpd	20	7	450 gpd	18	6	360 gpd	15	4
50° F	660 gpd	24	8	580 gpd	22	7	460 gpd	18	5
60° F	800 gpd	28	9	700 gpd	25	8	540 gpd	21	6
70° F	980 gpd	32	11	860 gpd	29	10	660 gpd	24	8
80° F	1,180 gpd	37	14	1,000 gpd	33	12	740 gpd	27	9



Storage Tank Options

Tank Description.....	80 Gallon.....	300 Gallon.....	550 Gallon ..	1,000 Gallon
Tank Part Number.....	7483.....	7495.....	7496.....	7498
Tank Height.....	58".....	80".....	83".....	84"
Tank Footprint.....	24" DIA.....	35" DIA.....	48" DIA.....	64" DIA
Material.....	Lined Fiberglass.....	HDPE.....	HDPE.....	HDPE

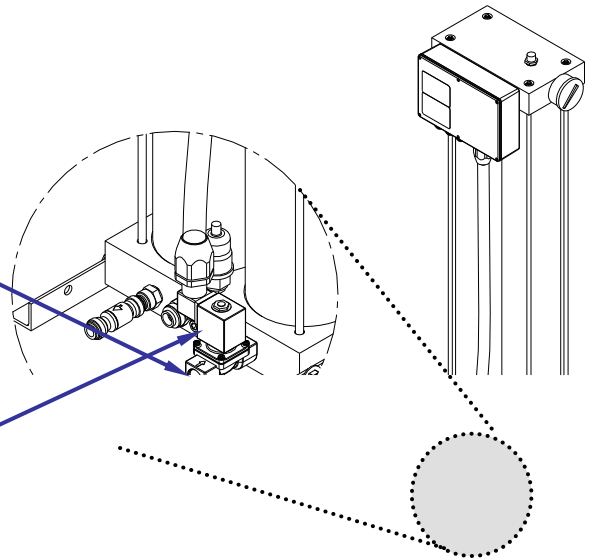
Part Numbers

TX 1440, 230 VAC, 60 Hz, Standard Mode (50% Recovery)	13580
TX 1440, 230 VAC, 60 Hz, Saltless Mode (25% Recovery)	13594

COMPONENT FUNCTIONALITY

The TX RO is comprised of various components. A brief description has been provided for each of these major components. The illustration helps depict the physical location of these components on the TX RO, while the flow schematic shows the flow path through the system.

Inlet The inlet to the system is located adjacent to the filter housing. This connection is 1/2" NPT. The required inlet pressure is 15 psi at 3 gpm.



Feed Solenoid Valve

A nickel plated brass, normally closed (NC) solenoid valve is used to shut flow off to the system during shutdown or alarm conditions.

Pressure Gauge

This pressure gauge shows the water pressure after it has been processed by the pump. It is equal to the inlet pressure plus the pump pressure.

Low Pressure Switch

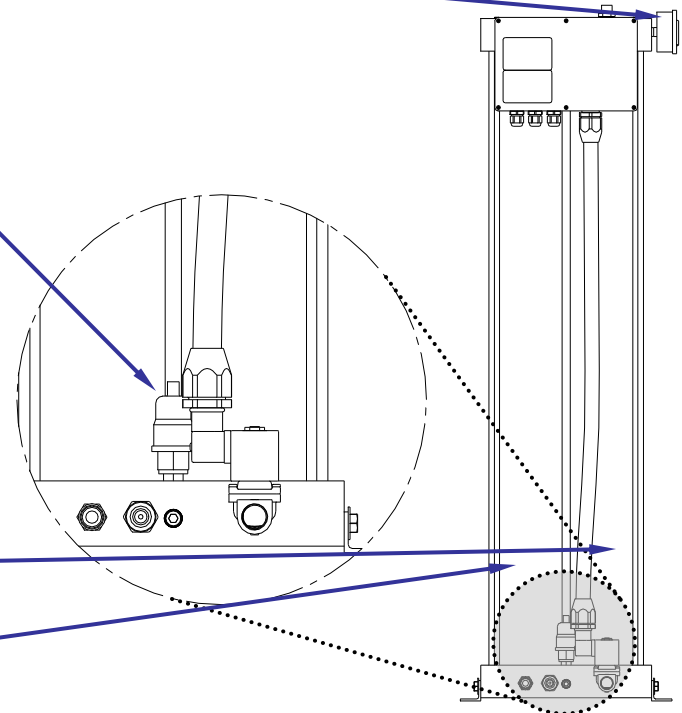
The low pressure switch is used to shut the system down if there is an inadequate feed pressure. The set point for the pressure switch is 15 psi (1.0 bar). The switch is located between the two housings.

Do not operate the system with this safety device by-passed.

Pump-in-Tube The pump-in-tube provides pressure to the TX RO as required for proper operation. The use of this pump style is a design advantage that also provides extraordinarily quiet operation compared to typical pumps being used. Typical operating pressure should be at 85 to 130 psi for the TX-ROs.

Membrane Housing / Membrane

Each membrane housing holds one 4" x 40" (10.12cm x 101.16cm) Thin Film Composite membrane.



Concentrate Flow Control Assembly

The concentrate flow control is used to regulate the recovery of the system. The TX RO Systems are designed to operate at a 50% recovery efficiency and at 25% recovery when operating in the Saltless mode.

Drain Connection

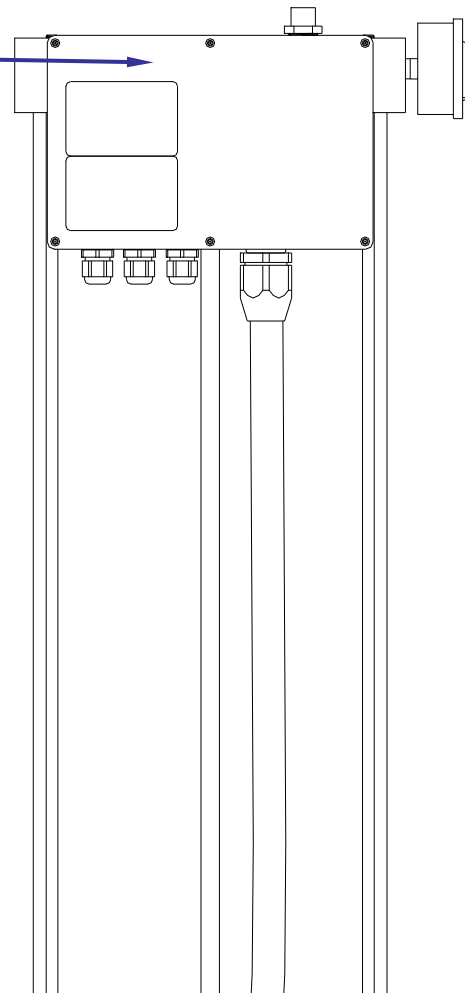
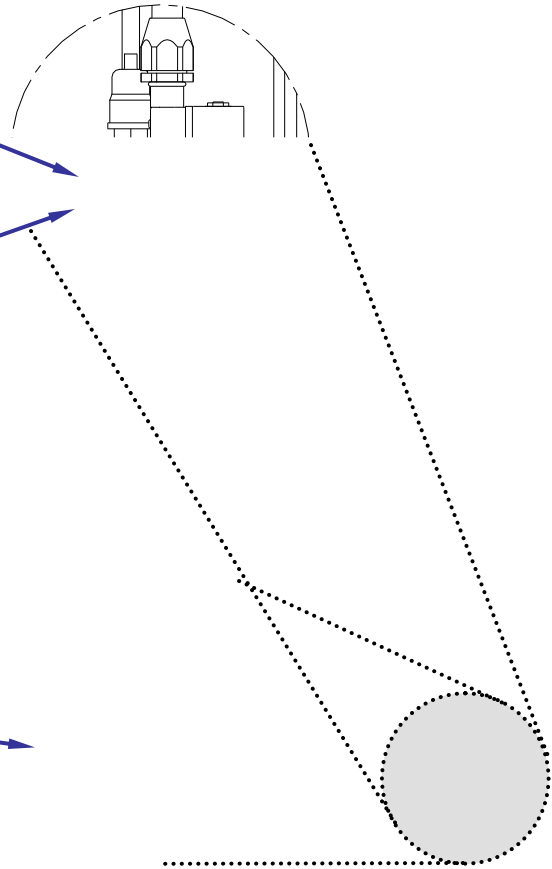
The drain connection is a 1/2" tube quick-connect fitting, located at the center of the system.

Permeate Connection

The permeate connection is a 3/8" tube quick-connect fitting, located on the left side of the system. This line should be plumbed to an atmospheric storage tank.

Control Box

The control box includes instrumentation pertinent to the operation of the system. All electronic components of the unit are wired through the control box. Main power is also routed into the box.



INSTALLATION

The following procedures have been developed to assist you during the installation of your TX 1440 Whole House RO.



The installation of this RO should be performed by a qualified service person with an understanding of local and regional codes that may affect the installation requirements.

Pre-installation Review

Before beginning the installation of the RO system, confirm system configuration to be installed, and components that have been ordered. Please review RO system specification sheet that includes required components.

Review of the customer's facility is also recommended, especially critical operating data that could affect the operation of the system:



Water Pressure

Water pressure to the RO system will affect the maximum flow permitted by the system. The RO system will not operate if the inlet pressure fluctuates below a dynamic pressure of 15 psi (1.0 bar). This minimum pressure must be maintained to the system at all times. Should the pressure fluctuate below this level, a booster pump may be required. Maximum feed water pressure to system is 70 psi.



Temperature

Ambient temperature must be maintained above 32°F (0°C). Freezing temperatures will cause breakage of equipment and void all warranties.



Water Temperature

Inlet water temperature must be maintained between 35°F and 90°F to prevent damage to the system's membranes.



System Location

The unit is designed for indoor or outdoor installation. All electrical components are water-tight rated, and all exposed construction materials are UV resistant.

RO Installation



Tools and Installation Materials

Since the RO processes high quality water and plumbing runs on the process, purge and drain outlets should all be completed with PVC piping or polyethylene tubing. Copper and galvanized pipe may demonstrate corrosion characteristics when subjected to permeate quality water.

Unpacking

- 1) Remove the RO from its packaging.
- 2) Inspect unit for possible shipping damage:
 - broken fittings
 - dents or scratches
- 3) Check all connections and mounting bolts. Tighten as necessary as they may have loosened during shipment.

- 4) Remove auxiliary materials package and documentation.

Positioning



- Outdoors or indoors.
- Level.
- Access to drain.
- Access to electrical hookup.
- Access to adequate water supply.

After moving the unit to the installation site, select an area where the unit can be serviced from the top and front. When installing next to a wall, leave a minimum of a 6" access to the back of the unit. Leave a minimum of 6" on both sides of the system. 36" access in front of the system is required for the electrical control box.

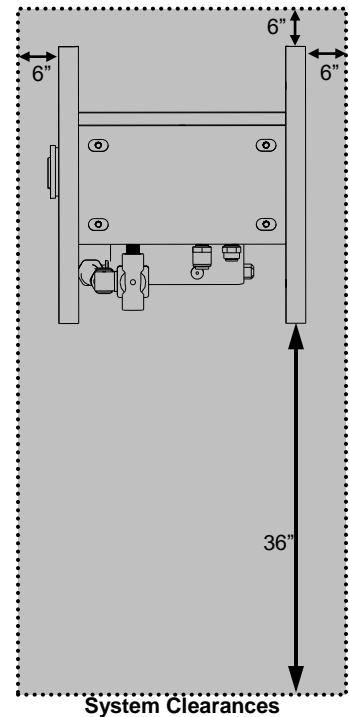


Figure 1

Plumbing Hook-ups

- 1) Connect the feed water line to the inlet of the TX 1440 Whole House RO (1). The connection on the RO is 1/2" FNPT, and is directly on the inlet solenoid valve.
- 2) From the check valve, connect your permeate line using 3/8" tubing (2). This connection should lead to an atmospheric holding tank or to a pneumatic air charge tank.
- 3) Connect the drain line using 1/2" tubing (3). This connection should be made to a drain in compliance with the local codes and requirements in your area.
- 4) In addition to the RO plumbing hook-up, it is recommended to install a system by-pass using adequately-sized ball valves.

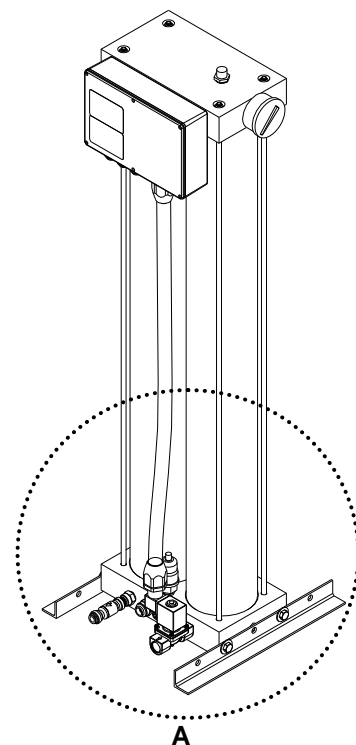
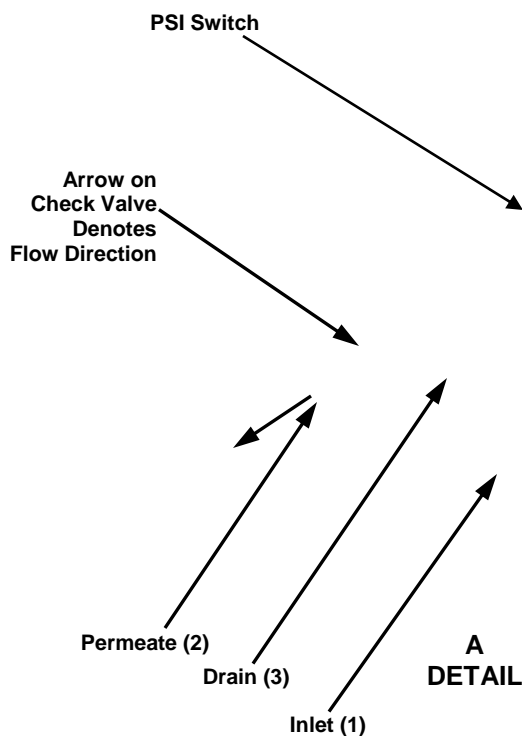


Figure 2

Electrical Connection – 240 Volt Single Phase

After making the plumbing connections, connect power to the TX 1440 Whole House RO. Power requirements are listed below.

240VAC, 60 Hz, single phase

- Full Load Current: 8.1A
- Required Branch Circuit Device: 250V/15A RK5 Time Delay Fuse
- Branch Circuit Conductor: #14 AWG Minimum (75°C Cu)
- Equipment Grounding Conductor: #14 AWG Minimum (75°C Cu)
- Fusible and lockable disconnect switch with a minimum rating of 250 VAC/30A, including class R rejection mechanism must be installed within 50 feet of this equipment or per local regulations. The disconnect switch must be visible from this equipment.



Tools and Materials Required for Electrical Install

Fused Disconnect
Multi-meter



Use a multi-meter to confirm power to be supplied to TX 1440 Whole House RO is proper voltage. After confirming voltage of the source power, shut off that power line, and confirm it is de-energized with the multi-meter. It is also recommended to use a lock-out kit on the power supply to prevent it from being energized during installation.

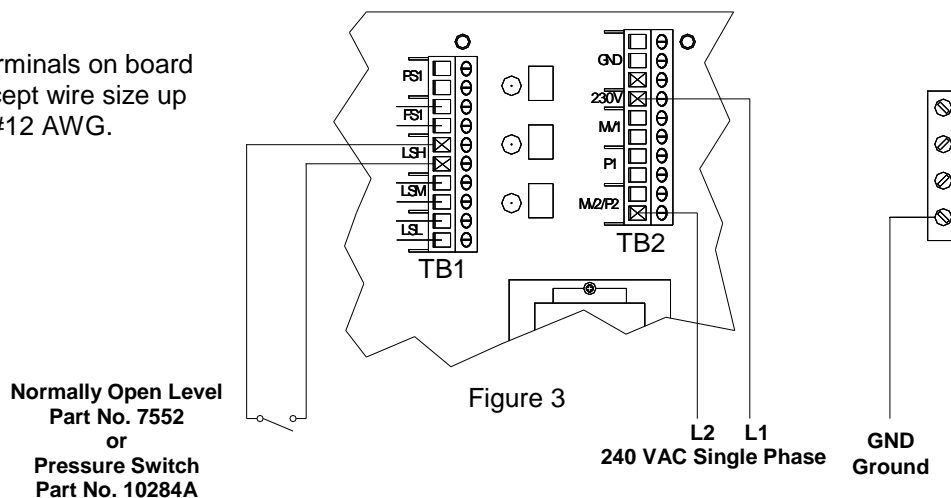
- 1) **Wiring must be done by a qualified electrician and must follow all local and appropriate codes.**
- 2) This unit must be connected to a dedicated disconnect. That disconnect should be within 50 feet (15 meters) of the equipment and within visible sight. The disconnect must be fusible and lockable with a minimum rating of 250 VAC/30A.
- 3) The disconnect should use UL Class RK5 TD (or equivalent). (Fuses must be sized accordingly. See information above.)
- 4) Make the power connection to the RO from the fused disconnect. The power conductors should be terminated on terminals as shown in Figure 3 below. Terminate the grounding conductor on terminal as shown in Figure 3 below.
- 5) Connect normally open level/pressure switch to the terminals as shown in Figure 3 below.

System Controls Operation

The TX 1440 Whole House RO is designed with a simple control mechanism. The unit uses one external dry contact to run the system. The RO control board will internally power this dry contact, using a low voltage signal (5 VDC).

The system operation wire harness is designed to be installed to a N.O. level or pressure control switch. When the switch closes, the unit will shut down.

Note: Terminals on board accept wire size up to #12 AWG.

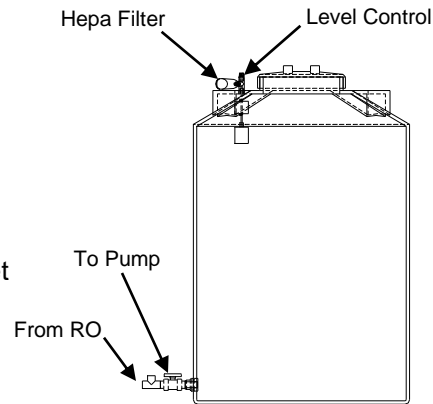


Optional Atmospheric Tank Installation



Tools and Installation Materials

- 3/8" Tubing
- 1" Plastic Piping
- Teflon® Tape
- Pipe Sealant
- 1 1/4" Threaded Male Adapter for Pump Inlet
- 1" Threaded Male Adapter for Pump Outlet
- Plastic Pipe Cleaner
- Plastic Pipe Cement
- Plastic Pipe Cutter



Use both Teflon tape and pipe sealant on all threaded connections. It is not necessary to thread connections to a complete stop. Leaving 2 -3 threads exposed will minimize the potential for fittings to crack. For plastic connections, make sure fittings are first cleaned, then glued. For tubing connections, plastic tubing should be cut straight with a sharp blade. These procedures will minimize leaks at the connections.

NOTE: If overflow is required, consult the technical service department.

Tank Connection

Refer to Figure 4 at right.

- The figure at right shows the tank connection assembly.
- Connect 3/8" tubing connector to 1/2" x 1" reducer bushing.
- Connect adaptor to outlet of 1" NPT tee.
- To other outlet of tee, connect 1" short nipple.
- Connect 1" 90° elbow to the 1" short nipple.
- Connect 1" short nipple to 1" 90° elbow.
- Connect nipple to 1" NPT check valve.
- To common inlet of tee, connect 1" short nipple.
- To nipple, connect 1" true union ball valve.
- To other end of ball valve, connect 1" short nipple.
- Disassemble the true union ball valve with the nipple.
- Make the connection from this nipple to the tank.
- Reassemble ball valve.
- Add an overflow connection to the tank. Overflow should be connected to an air gap prior to the drain.

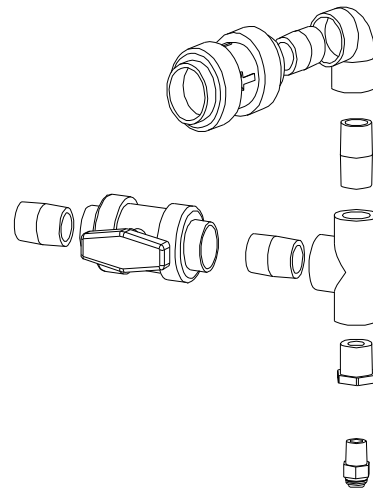
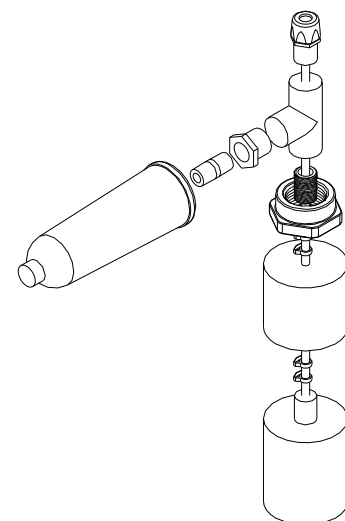


Figure 4

High Level Control

Refer to Figure 5 at right.

- Assemble the float switch components to the top of the tank.
- Place the level control switch with the cord in the tank through manway.
- Guide the cord out of the tank through the bulkhead, nipple, to the cord grip.
- Tighten in place.
- Thread the HEPA filter horizontally onto the 3/8" nipple in the
- Disconnect all power to the TX 1440 system.
- Open the door on the front of the system.
- Route the cord into the TX 1440 control box using another cord grip.
- Connect the wiring to the "System Float" terminals as shown in electrical wiring diagram (Figure 3 on page 13).

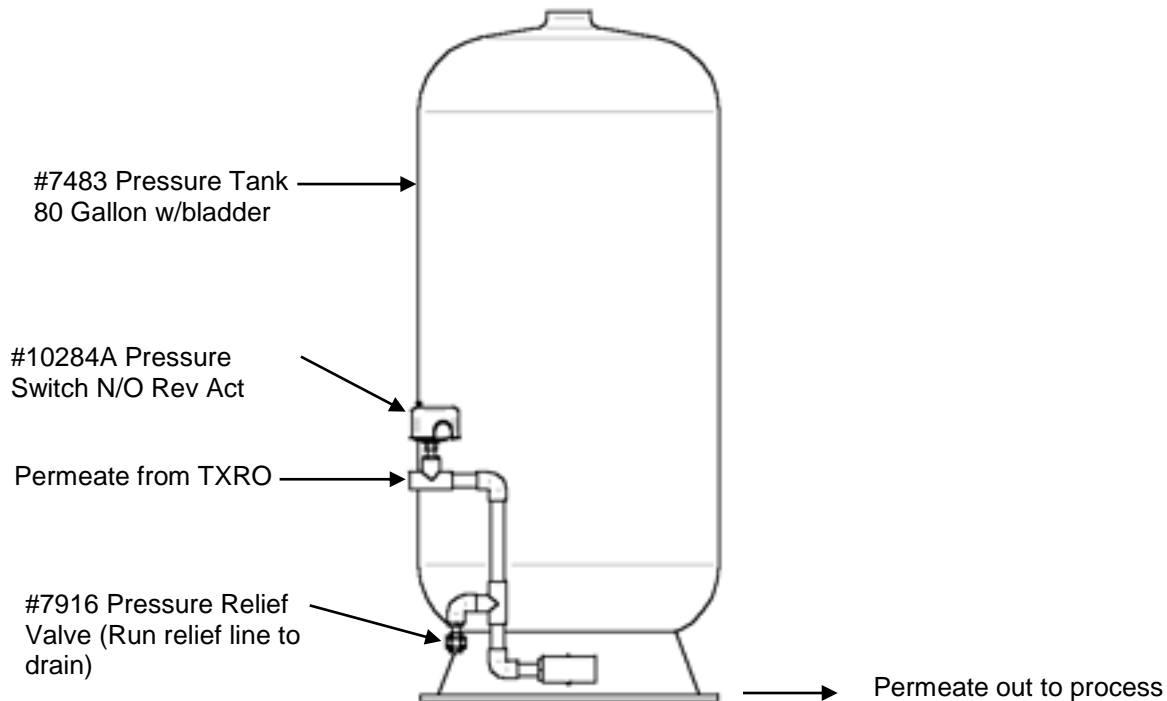


Optional Captive Air (Bladder) Tank Installation

In some applications a captive air style (bladder) tank may be used instead of an atmospheric tank. When installing a captive air style tank with a TX RO a reverse acting pressure switch and relief valve are required. The pressure switch is set at 30/50 to turn the TX RO on at 30 psi and shut it off at 50 psi.

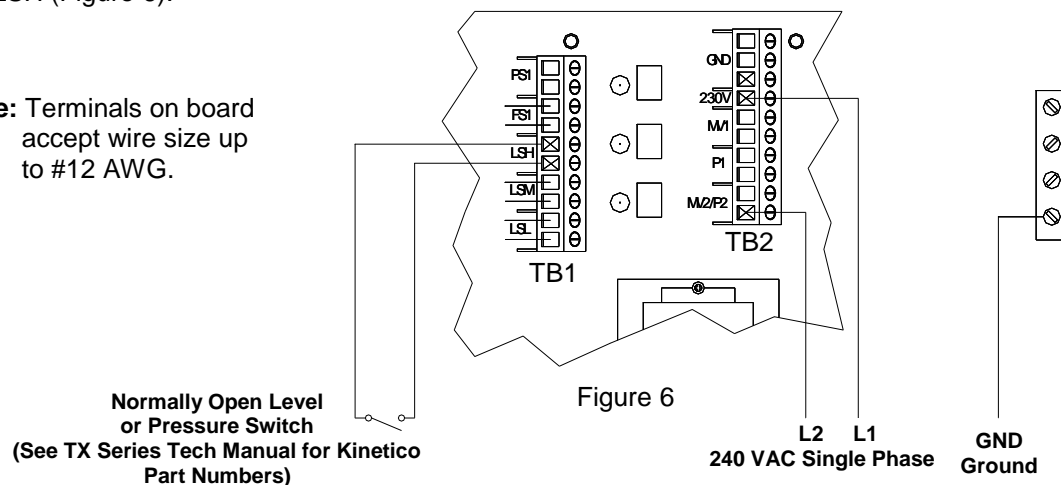


Important: The relief valve is used as a safety in case the pressure switch fails. The relief valve is set at 100 psi to open up and allow pressure to relieve from the tank. The relief line is run to the drain.



1. The #10284A Pressure Switch spring is set so that the turn on pressure is 30 psi and the turn off is 50 psi. (Note: The 30/50 setting is standard. If a different switch setting is required, the spring on the switch must be adjusted.)
2. Connect 2 conductor cables (2 wires) to the normally open contacts on the #10284A Pressure Switch. This is a low voltage contact so the wire conductor size can vary (normally between 14 and 20 gauge).
3. Run the 2 conductor cables into the TX RO control panel and connect to the contacts on the controller marked LSH (Figure 6).

Note: Terminals on board accept wire size up to #12 AWG.



System Commissioning (Initial Start-up)

The start-up procedures for the equipment should be followed if:

- it is the first time the unit is being put into operation.
- the equipment has been moved.
- the unit has been shut down for an extended period of time (a few weeks).

After completing these start-up procedures, the normal operating procedure should be followed. Make sure unit has been properly installed by reviewing the installation section.



Recommended Start-up Tools

- 3/8" Tubing
- Tube Cutter
- Portable Conductivity Meter

- 1) Temporarily connect permeate line to drain using 3/8" tubing.
- 2) Open feed water valve slowly to pressurize the system.
- 3) Check unit for leaks.
- 4) Tighten any connections exhibiting leaks.
- 5) Do not use a pipe wrench to tighten plastic pipe connections. This may result in damage to the pipe, causing a rupture in the plumbing assembly.
- 6) Turn on disconnect switch.
- 7) This will activate the pump. The pump may shut down a number of times while the system purges itself of air.
- 8) After 10 minutes of operation, the membranes should be adequately flushed of any preservatives.
- 9) Take a sample of the permeate water, measuring conductivity using a portable monitor.
- 10) Observe system pressure shown on pressure gauge. System operating pressure is affected by the feed pressure and the normal operating range is 85 – 130 psi. Consult tech service if pressure is outside of the range, as the drain/or recycle orifice plate will need to be changed to bring pressure within proper operating range.
- 11) Shut the system down by switching off the disconnect.
- 12) Connect permeate line to the storage tank.
- 13) Turn disconnect on.
- 14) At this time, permeate water should begin filling the storage tank.
- 15) Check for proper shutoff of system by manually triggering tank full level switch/pressure switch.

PARTS

Electrical Components

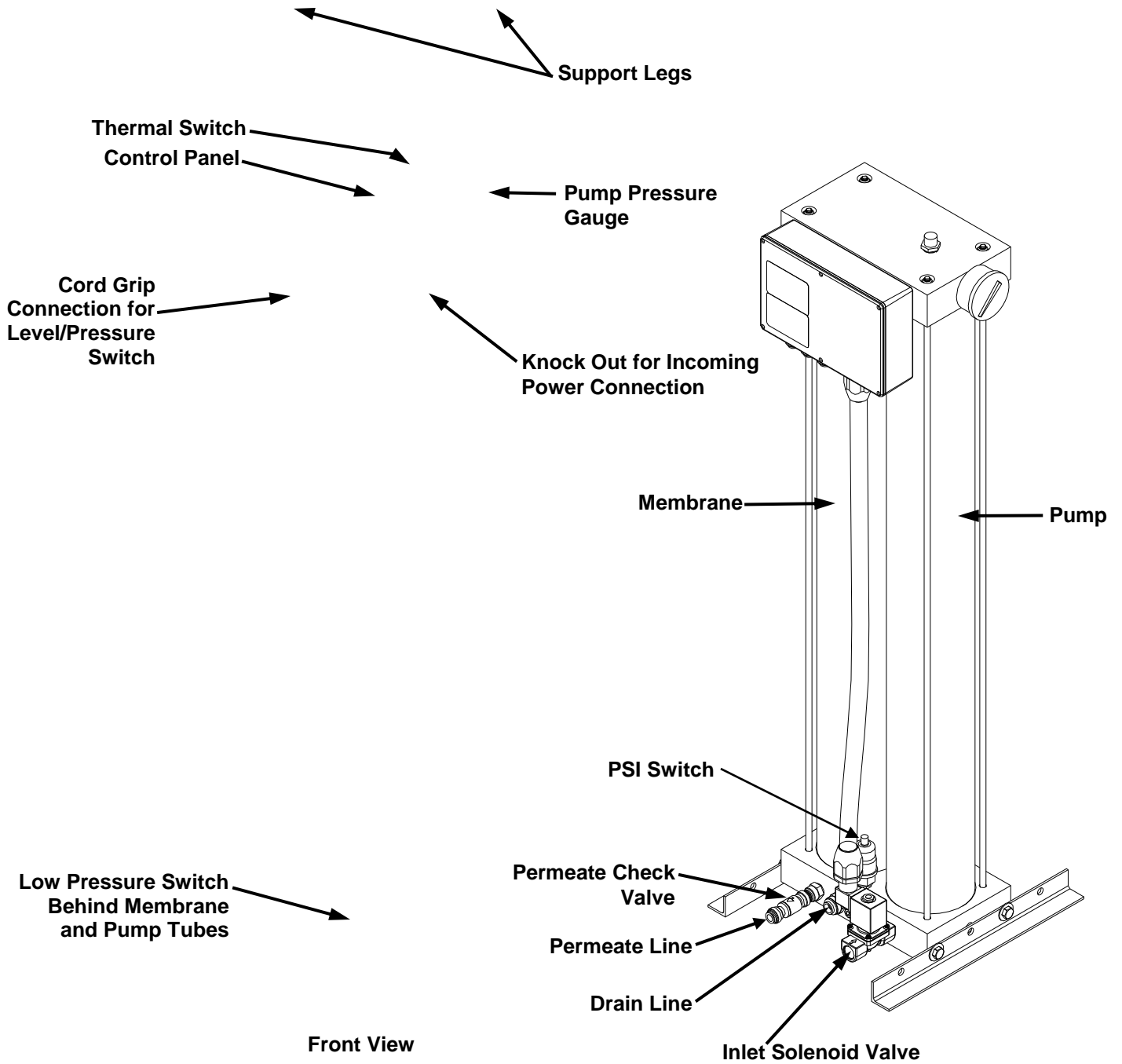
Description	Part Number	Qty.
Low Pressure Switch	13589A	1
Control Box CRO	13570B	1
Inlet Solenoid Valve	8480A	1
Thermostat	13569	1
Fuse, .3 Amp	9864	2
Motor, ¼ HP	10288	1
Pump, ¼ HP	10287	1

Plumbing Components

Description	Part Number	Qty.
Check Valve 3/8	8954C	1
Gauge 0-160 psi	8307B	1
Membrane Tube O-ring 244	13561	4
Membrane Nipple O-ring 116	12703	4
XLE Membrane 4040	10230	1
Flow Disc 1.4 gpm	10243	-
Flow Disc 2.5 gpm	8384	-
Flow Disc 2.8 gpm	10244	-
Flow Disc 4.1 gpm	10245	-
Flow Disc 5.0 gpm	13597	-
Flow Disc 5.5 gpm	10246	-
Flow Disc 8.0 gpm	13592	-
E-clip, Internal	13573	2
Drain Fitting – Flow Disc	13567	1

PARTS IDENTIFICATION

Bottom View



TROUBLESHOOTING

System Dead – No Operation

Incoming power was interrupted

Make sure incoming branch circuit is on.

Blown fuse

Make sure incoming branch circuit is powered on all three phases.



Turn off TX RO disconnect.

Open enclosure.

Remove each fuse one at a time.

Check solenoid valve inline fuses in control box.

Check continuity of fuse.

Replace with new fuse only after determining why the fuse blew.

RO Pump Never Starts

No power

Use guidelines from “System Dead.”

System does not need to make water yet

Make sure the system float is in the down position, then wait for the appropriate time delay (factory default is 6 second delay).

High level float incorrect

The system will begin running with an open contact from the high level float. Check wiring and continuity of switch in off and on positions.

High level float switch not operating correctly

Verify operation with continuity tester.

Feed Tank Overflows

Level float malfunction

Check placement of high level float. Float should engage contact before water level reaches top of tank.

Inlet solenoid valve not shutting

Shut system down. After completion of a tank fill cycle, check permeate and drain line. No water should be flowing. If a flow is present, isolate system, and check inlet solenoid valve.

Poor Quality

Inlet TDS too high

Check inlet TDS. TX RO is designed to operate with a ~ 98% rejection.

System not operating within specifications

Confirm system operating parameters. System should run at provided permeate, recycle and reject flow rates.

Brine seal leak

Check permeate conductivity.

Chlorine damage to membranes Check inlet chlorine levels, residual less than 0.05 mg/L is required to prevent thin film composite membrane deterioration.

System Not Consistently Running

Low pressure Feed pressure too low. Check inlet PSI while system is running. System will shutdown if feed psi is below 15 psi (1.0 bar).

Filter cartridge Replace if pressure loss exceeds 5 psi.

System leak Check and repair.

Low permeate flow Water temperature is low.

Membranes are fouled.

Membranes fouled Check system log for history. If consistent declining production is found, clean membranes. Consult your Kinetico dealer for appropriate cleaning procedures and chemicals.

Confirm system operating parameters.

Float switch not operating properly Check operation of high level switch.

Poor Production Volume

System not operating within specifications Confirm system operating parameters. System should run at provided permeate, recycle and reject flow rates.

Cold temperature Inlet temperature less than 77 °F.

Fouled membranes Check permeate quality.

Low pump pressure The TX RO systems are designed to permeate projected volumes at a pump pressure of 110 psi and a temperature at least 77 °F. Check if pump pressure yields less than 110 psi.

Inlet quality changes Analyze RO feed for chlorine, hardness and temperature.

TABLE DES MATIÈRES

1.0 Informations générales

À propos de ce manuel	F3
Technologie d'osmose inverse	F4
Le système de membrane de la série TX	F5
Options du système	F5

2.0 Spécifications de l'équipement

Dimensionnement du système	F7
Spécifications du système	F8
Fonctionnalité des composants	F10

3.0 Installation

Vérification avant l'installation	F12
Installation du système d'osmose inverse	F12
Déballage de l'appareil	F12
Positionnement	F13
Raccords de plomberie	F13
Branchement électrique –240 Volts monophasé	F13
Fonctionnement des commandes du système	F14
Installation d'un réservoir atmosphérique en option	F15
Raccordement du réservoir	F15
Contrôle de niveau élevé	F16
Installation du réservoir hermétique (à membrane) en option	F17

4.0 Fonctionnement et entretien

Mise en service du système (démarrage initial)	F19
--	-----

5.0 Pièces F20

6.0 Dépannage F22

7.0 Remarques : F24

À PROPOS DE CE MANUEL

Ce manuel présente les informations nécessaires pour effectuer une installation appropriée et assurer le fonctionnement optimal de votre système commercial d'osmose inverse Kinetico de série TX. Nous avons également inclus les renseignements sur les questions fréquemment posées à propos des systèmes d'osmose inverse. Ces renseignements pourraient être de nature plus technique, mais ils fournissent un éclairage complémentaire sur le fonctionnement optimal continu de cet équipement.

Ce manuel utilise plusieurs icônes pour mettre en évidence des problèmes se rapportant à l'utilisation sécuritaire de cet équipement. Voici la description des icônes utilisées :



Les renseignements généraux au sujet de l'application de ce produit seront mis en évidence par cette icône. Cela inclut les spécifications techniques et les résultats de fonctionnement attendus.



Une icône de mise en garde sera présente à côté de tout renseignement pouvant indiquer un risque de danger ou une préoccupation pendant l'installation, l'utilisation ou l'entretien de ce produit. **Le non respect de ces renseignements risque d'entraîner des dommages matériels sur l'appareil et son environnement immédiat .**



L'icône d'avertissement apparaîtra à côté de tout renseignement pouvant indiquer un danger ou une préoccupation grave pendant l'installation, l'utilisation ou l'entretien de ce produit. **Le non-respect de ces renseignements pourrait entraîner des blessures graves.**



Tous les outils ou tout le matériel requis pendant l'installation, l'utilisation ou l'entretien de cet équipement seront précédés par cette icône. L'utilisation d'outils spécifiques réduira le temps et l'effort. L'utilisation d'outils inadéquats pourrait entraîner des dommages à l'équipement, à l'environnement et même causer des blessures.

Si vous avez d'autres questions au sujet de cet équipement, veuillez contacter votre concessionnaire Kinetico local pour obtenir de l'aide supplémentaire.

TECHNOLOGIE D'OSMOSE INVERSE

Le début des années 60 a marqué l'utilisation de l'osmose inverse (RO –reverse osmosis) à des fins commerciales. Auparavant, la technologie était utilisée par l'armée américaine pour la purification de l'eau destinée aux troupes. Depuis son entrée sur le marché, l'osmose inverse ne cesse de gagner en popularité. La technologie d'osmose inverse offre la meilleure capacité de filtration disponible. La membrane d'osmose inverse agit comme une barrière qui empêche les sels dissous et les molécules inorganiques de traverser. C'est le cas également pour les molécules organiques ayant un poids moléculaire de plus de 100 environ. Par contre, les molécules d'eau, traversent facilement la membrane et produisent une eau purifiée.

Les applications pour l'osmose inverse sont nombreuses, comme le dessalement de l'eau de mer ou de l'eau saumâtre pour l'alimentation en eau potable, le traitement des aliments et des boissons, la purification de l'eau potable des maisons et bien d'autres applications. L'utilisation de l'osmose inverse avant l'échange ionique (IX) pour la production d'eau de très haute qualité réduit considérablement les coûts d'exploitation et la fréquence de régénération des systèmes d'échange ionique. La plage de pression associée avec les systèmes d'osmose peut varier entre 40 psi (2,76 bars) pour les systèmes d'eau du robinet à 1 000 psi (68,9 bars) pour les systèmes de dessalement de l'eau de mer.

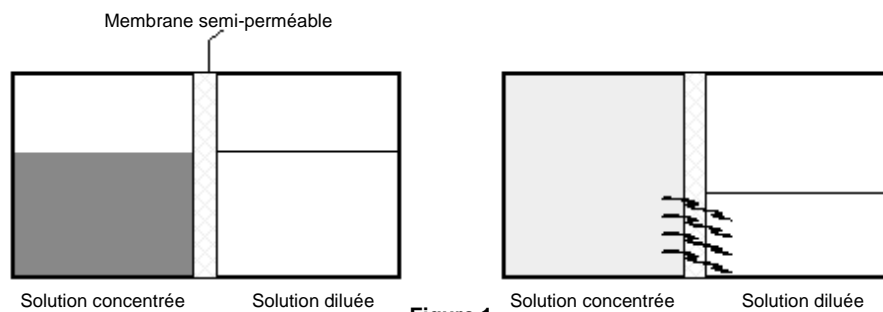


Figure 1

La technologie d'osmose inverse n'est pas nouvelle. Ce processus est présent dans la nature et dans le corps humain. Les membranes de notre corps permettent aux nutriments et aux déchets d'entrer et de sortir de la circulation sanguine. L'expression « semi-perméable » signifie que la membrane est perméable pour certains éléments et imperméable pour d'autres. La plupart des membranes semi-perméables permettent à l'eau de traverser tout en bloquant les autres molécules ou les ions. La figure 1 montre qu'une solution concentrée verra son volume d'eau augmenter au fur et à mesure que l'eau de la solution diluée traversera la membrane. De cette façon, la concentration des deux côtés de la membrane reste la même, bien que les volumes soient différents.

Cette relation de dilution peut être quantifiée par l'élévation de la hauteur de la solution salée. Cette hauteur augmentera jusqu'à ce que la pression de la colonne d'eau (de la solution salée) soit si élevée que la force de cette colonne d'eau arrêtera l'écoulement de l'eau. Dans cette colonne d'eau, le point d'équilibre de la hauteur qui crée une pression d'eau contre la membrane est appelé la pression osmotique.

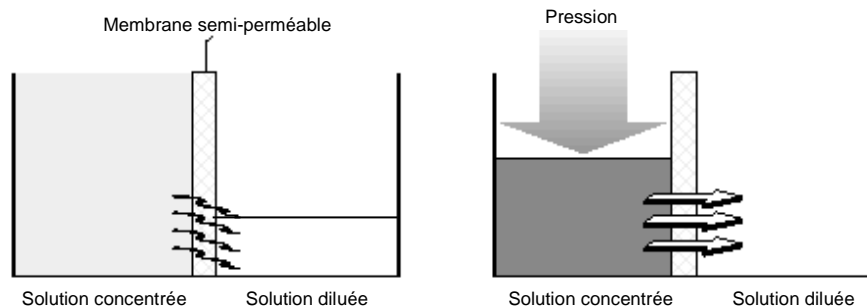


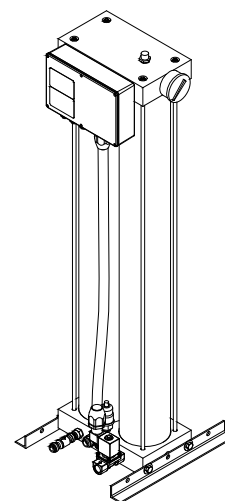
Figure 2

L'osmose inverse (Figure 2) est le résultat d'une force appliquée sur cette colonne d'eau. La direction de l'écoulement de l'eau à travers la membrane peut être inversée; c'est base de l'expression osmose inverse. Cet écoulement inversé produit de l'eau de « perméat » à partir de la solution salée, car la membrane empêche la majorité du sel de la traverser. Le rejet typique d'une membrane semi-perméable est de plus de 95 %. Cela signifie qu'elle empêchera 95 % du sel de passer pour n'en laisser passer que 5 %.

LE SYSTÈME DE MEMB

Le système TX RO est un système évolué pour traiter divers problèmes d'eau. Les capacités sont élevées avec un entretien minimal. Cette caractéristique est due au fait que le système est conçu pour fonctionner par le biais de notre réseau de distribution, ce qui permet de résoudre pratiquement tous les problèmes d'eau, de la dureté jusqu'à trimesiérielle.

Le TX utilise la technologie d'osmose inverse pour éliminer les contaminants dissous dans le flux d'alimentation. Le système utilise des membranes enroulées en spirale pour produire l'eau pure. Le système présente généralement une réduction de 95% des particules solides dissoutes (TDS) du flux d'eau et des minéraux concentrés qui n'ont pas réussi à passer à travers la membrane.



Options du système

Selon les caractéristiques de votre eau à traiter, des options de prétraitement supplémentaires peuvent être nécessaires avec votre système d'osmose inverse. Cette fonctionnalité a été répertoriée. Si vous avez des questions, veuillez communiquer avec votre distributeur Kinetico local.

Prétraitement

En fonction de votre application et du type d'eau à traiter, de l'équipement de prétraitement supplémentaire pourrait être requis avec le système TX RO. La conception du système TX permet à ce niveau de préfiltration de correspondre exactement à vos besoins.

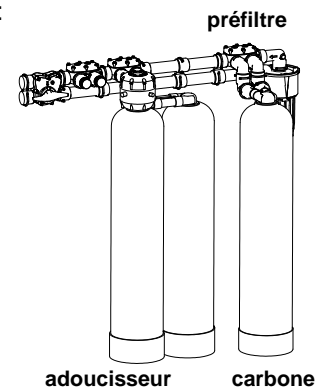
Trois niveaux d'équipement de prétraitement sont disponibles avec le système TX :

Préfiltre

Une préfiltration de 5 microns est recommandée pour maximiser la durée de vie des membranes du système. Ce niveau de filtration peut être effectué par un système de filtration de Kinetico ou par un filtre équivalent d'une capacité de filtration de 5 microns à 5 gpm.

Carbone

L'eau contenant des oxydants (comme du chlore ou des chloramines) à l'entrée exige un traitement supplémentaire pour leur élimination. Kinetico offre une gamme complète de produits de déchloration adaptés au prétraitement du système TX RO.



! Le niveau maximal d'oxydant présent dans l'eau pour le système TX RO est de 0,05 mg/L. Une exposition prolongée à des niveaux excessifs de chlore endommagera les membranes. La seule solution consiste à remplacer les membranes.

Adoucisseur – Traitement de l'eau ferrugineuse et de l'eau dure

Bien que le système TX puisse être configuré pour traiter l'eau sans adoucisseur, dans certains cas un adoucisseur pourrait être la meilleure option de prétraitement. Si le niveau de dureté de l'eau dépasse 4 gpg (70 mg/L de CaCO₃) ou si la concentration de fer dépasse 0,2 mg/L, la durée de vie de la membrane sera réduite.

Pour minimiser les problèmes de dureté de l'eau, deux options de configuration sont possibles;

Mode sans sel

Lorsque le système TX est en mode sans sel, le volume d'eau de purge du système est augmenté pour pallier aux problèmes d'entartrage.

Mode adoucisseur

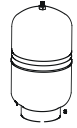
L'ajout d'un adoucisseur est la configuration la plus commune pour le prétraitement d'un système de membrane. Avec cette option, Kinetico offre une gamme complète d'adoucisseurs répondant à différents types de prétraitement de l'eau dure pour le système TX RO.

Stockage et remise sous pression

Les applications pour une maison exigent l'installation d'un réservoir de stockage qui emmagasine suffisamment d'eau pour fournir la pression souhaitée. Deux types de réservoirs de stockage sont offerts;

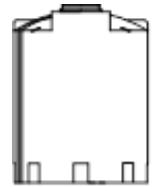
Réservoir hydropneumatique

Ce type de réservoir est fermé et pressurisé grâce à une charge d'air interne qui crée une pression d'alimentation pour l'eau stockée.



Réservoir atmosphérique

Un réservoir atmosphérique est fermé et doté d'un évent qui permet d'ajouter ou d'enlever de l'eau du réservoir sans créer de pression. Cette option élimine toute contre-pression du système TX, améliorant ainsi la production et l'efficacité du système TX. Une pompe de remise sous pression externe est utilisée avec le réservoir atmosphérique pour enlever l'eau du réservoir et la pressuriser dans toute votre maison.



Post-traitement

Ozonation

Un réservoir atmosphérique permet d'utiliser l'ozonation pour fournir une désinfection en continu de l'eau ou comme méthode supplémentaire de traitement de certains contaminants non traités par le système de membrane TX. Ces contaminants peuvent inclure le soufre, ainsi que certains contaminants organiques.

Rayons ultraviolets

Un autre processus de désinfection offert en option, le système à rayons ultraviolets de Kinetico, peut être utilisé pour une stérilisation aux rayons ultraviolets de l'eau traitée.

Traitement pour le sulfure d'hydrogène

Dans les applications présentant une concentration élevée de soufre (> 5 mg/L), un filtre de finition pour sulfure d'hydrogène peut être utilisé efficacement après le système TX pour complètement débarrasser l'eau de tout sulfure d'hydrogène résiduel.

Minéralisation

Le système TX élimine presque tout ce qui se trouve dans l'eau, mais certains clients préfèrent consommer de l'eau minéralisée. L'ajout de faibles niveaux de minéraux après le traitement du système TX permet de conserver tous les avantages de l'eau douce dans toute votre maison, et les minéraux donneront un goût d'eau en bouteille à chaque robinet de votre maison.

DIMENSIONNEMENT DU SYSTÈME

Le dimensionnement du système TX RO, la production moyenne en fonction des conditions de fonctionnement du système (et de certains facteurs) peut changer de façon significative.

Voici les facteurs à examiner :

Température de l'eau

C'est la température de l'eau avant qu'elle n'entre dans l'appareil. La conception unique du système TX RO transfère l'excès d'énergie de la pompe vers l'eau, sous forme de chaleur, pendant son fonctionnement normal. Ce processus augmente légèrement la température interne de l'eau traitée par le système TX, ce qui permet à davantage d'eau de traverser la membrane. Cette chaleur supplémentaire est incluse dans le tableau du produit illustré.

Pression de fonctionnement

La pression de fonctionnement peut être calculée en utilisant quatre (4) mesures de pression :

$$\text{Pression de fonctionnement} = \text{Pression du système} + \text{Pression d'entrée} - \text{Pression osmotique} - \text{Contre-pression}$$

- ou -

$$\text{Pression de fonctionnement} = 60 + \text{PE} - \text{PO} - \text{CP}$$

La **pression du système (PS)** est égale à la pression de suralimentation de la pompe du système TX RO. Pour le système TX 1440, ce facteur est de 60 psi (4,14 bars).

La **pression d'entrée (PE)** est la pression dynamique du système d'osmose inverse. Cette pression doit être mesurée lorsque le système TX RO est en marche ou lorsque de l'eau à 3 gpm coule de la conduite d'alimentation principale.

La **pression osmotique (PO)** peut être calculée à partir du niveau total de particules solides dissoutes de l'eau d'alimentation. La PO = total des particules solides dissoutes / 100.

La **contre-pression (CP)** est déterminée par le type de réservoir de stockage relié au système.

Si un réservoir atmosphérique est utilisé, la CP = la hauteur réservoir / 2,3.

Si un réservoir hydropneumatique est utilisé, la CP = la pression moyenne entre le point de consigne marche/arrêt du réservoir (40 et 60) = 50.

Tableau de production

Taux production quotidienne (gallons / jour)

		Température de l'eau (°F)					
		40	50	60	70	80	90
Pression de fonctionnement (en psi)	70	619	792	979	1 210	1 440	1 714
	80	703	887	1 117	1 382	1 613	1 958
	90	791	998	1 257	1 555	1 814	2 203
	100	878	1 109	1 397	1 728	2 016	xx
	110	966	1 220	1 536	1 901	2 218	xx
	120	1 054	1 331	1 676	2 074	xx	xx
	130	1 142	1 441	1 816	2 246	xx	xx

SPÉCIFICATIONS DU SYSTÈME

Les paramètres de fonctionnement généraux de la gamme de produits du système TX RO sont indiqués dans le tableau ci-dessous. Ces spécifications sont fournies afin d'indiquer les conditions requises pour le fonctionnement de ce système. Si d'autres paramètres vous inquiètent, veuillez communiquer avec votre distributeur Kinetico local pour obtenir plus de détails sur le fonctionnement ou d'autres données sur les performances.

Composants du système

Valve d'entrée.....	Valve électromagnétique en acier inoxydable de 127 mm (1/2 po)
Pompe de pressurisation	Pompe multicellulaire submersible
Moteur	Moteur NEMA de 3/4 po HP
Boîtier de membrane (qté).....	(1) PVC
Membrane primaire (qté)	(1) Membrane composite de pellicule mince de 10 cm x 101 cm/4,0 x 40 po (7,89 m ² /85 pi ²)
Contrôle de recirculation.....	Orifice fixe
Contrôle de la vidange.....	Orifice fixe
Protection en cas de faible pression	Interrupteur d'urgence à 15 psi (1,0 bar)
Contrôle de fermeture du système.....	N.O. Contact, fermer pour l'arrêt du système
Contrôleur de système.....	Carte de circuit électronique

Qualité de l'eau à l'entrée

Débit à l'entrée	3 gpm
Débit à l'entrée –Mode sans sel.....	6 gpm
Plage de pression de fonctionnement.....	Pression dynamique de 25 à 70 psi (1,7 bar à 4,8 bars)
Plage de température	1,6 à 32,2 °C (35 à 90 °F)
Plage de pH	
Chlore libre	
Dureté en ta	
Dureté en ta	
Silice (Max.)	
Fer en tant c	
Total de part	

Spécifica

Production c
 Production r
 Débit d'écou
 Débit d'écou
 Débit d'écou
 Débit d'écou
 Débit du reje
 Dimensions
 Poids (opéra
 Pression de

Connexio

Entrée.....
 Perméat.....
 Raccord de '
 Alimentation

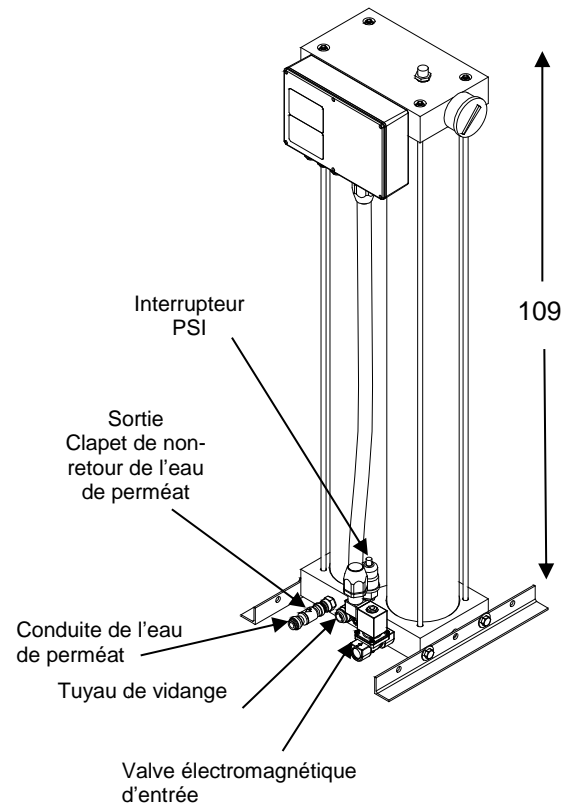


Tableau de production
(Vers le réservoir atmosphérique)

Temp.	500 mg/L	% de récupération – Standard	% de récupération – Sans sel	1 000 mg/L	% de récupération – Standard	% de récupération – Sans sel	2 000 mg/L	% de récupération – Standard	% de récupération – Sans sel
4,4 °C (40 °F)	900 gpd	30	11	830 gpd	28	10	690 gpd	25	9
4,4 °C (50 °F)	1 160 gpd	36	13	1 060 gpd	35	12	880 gpd	30	10
4,4 °C (60 °F)	1 400 gpd	40	16	1 280 gpd	38	15	1 060 gpd	35	12
4,4 °C (70 °F)	1 700 gpd	45	20	1,540 gpd	42	18	1 260 gpd	38	15
4,4 °C (80 °F)	2 000 gpd	50	23	1 860 gpd	47	22	1 480 gpd	42	17

(Pour pressuriser le réservoir de stockage 30/50)

Temp.	500 mg/L	% de récupération – Standard	% de récupération – Sans sel	1 000 mg/L	% de récupération – Standard	% de récupération – Sans sel	2 000 mg/L	% de récupération – Standard	% de récupération – Sans sel
4,4 °C (40 °F)	510 gpd	20	7	450 gpd	18	6	360 gpd	15	4
4,4 °C (50 °F)	660 gpd	24	8	580 gpd	22	7	460 gpd	18	5
4,4 °C (60 °F)	800 gpd	28	9	700 gpd	25	8	540 gpd	21	6
4,4 °C (70 °F)	980 gpd	32	11	860 gpd	29	10	660 gpd	24	8
4,4 °C (80 °F)	1 180 gpd	37	14	1 000 gpd	33	12	740 gpd	27	9



Options de réservoir de stockage

Description du réservoir.....	80 gallons	300 gallons	550 gallons	1 000 gallons
Numéro de pièce du réservoir.....	7483	7495	7496	7498
Hauteur du réservoir.....	58 po	80 po	83 po	84 po
Encombrement du réservoir.....	24 po DIA	35 po DIA	48 po DIA	64 po DIA
Matériau	Revêtement de fibre de verre	PEHD	PEHD	PEHD

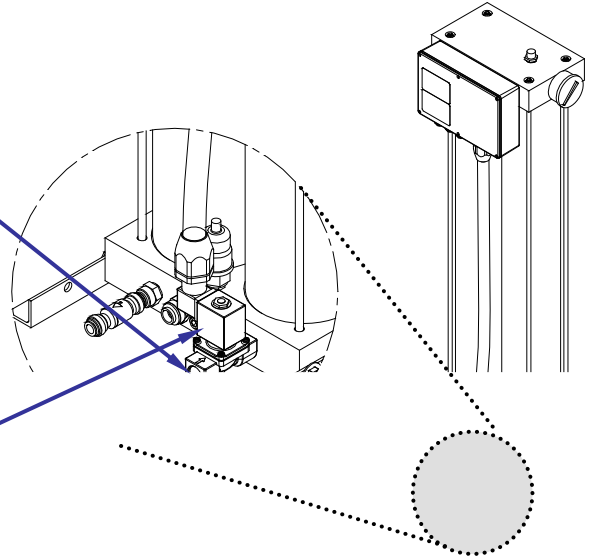
Numéros de pièce

TX 1440, 230 V c.a., 60 Hz, Mode standard (50 % de récupération)13580
 TX 1440, 230 V c.a., 60 Hz, Mode sans sel (25 % de récupération)13594

FONCTIONNALITÉ DES COMPOSANTS

Le système TX RO comprend plusieurs composants. Une brève description est fournie pour chacun de ces principaux composants. Les illustrations permettent de situer l'emplacement physique de ces composants sur le système TX RO, alors que le schéma illustre le trajet de l'écoulement dans le système.

Entrée L'entrée du système est située à côté du boîtier de filtre. Ce raccord est de 12,7 mm (1/2 po) NPT. La pression requise pour l'entrée est de 15 psi (1 bar) à 3 gpm.



Valve électromagnétique d'alimentation

Une valve électromagnétique en laiton nickelé, normalement fermée (NF), est utilisée pour couper le débit vers le système pendant un arrêt ou une alarme.

Jauge de pression

Cette jauge de pression indique la pression de l'eau après son expulsion par la pompe. Elle est égale la pression d'entrée plus la pression de la pompe.

Interrupteur de faible pression

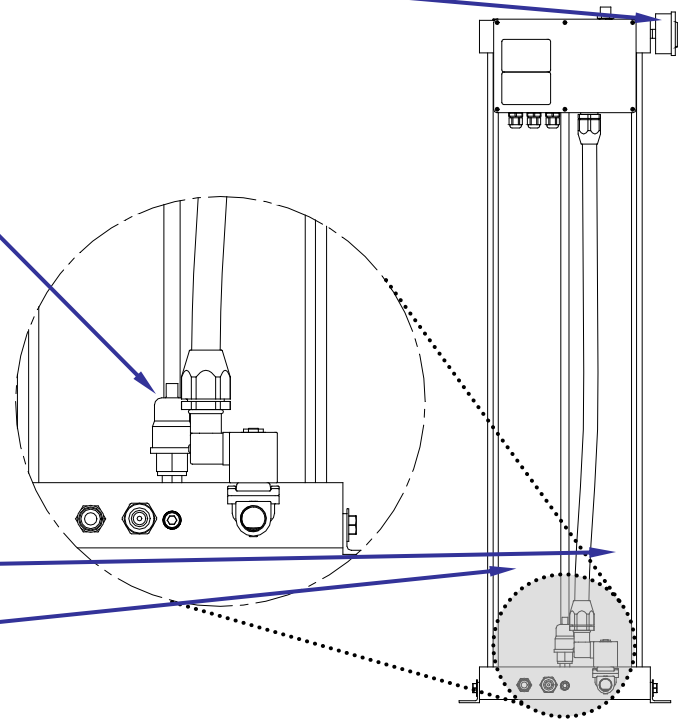
L'interrupteur de faible pression est utilisé pour couper le système lorsque la pression d'alimentation est inadéquate. Le point de consigne de l'interrupteur de faible pression est de 15 psi (1,0 bar). L'interrupteur est situé entre les deux boîtiers.

Ne pas faire fonctionner le système en contournant ce dispositif de sécurité.

Pompe montée dans le tuyau La pompe montée dans le tuyau fournit la pression de fonctionnement approprié au système TX RO. L'utilisation de ce type de pompe est un avantage sur le plan de la conception en plus d'offrir un fonctionnement très silencieux lorsque comparé aux autres pompes habituellement utilisées. La pression de fonctionnement typique doit être entre 85 et 130 psi (5,9 bars et 8,9 bars) pour les systèmes TX RO.

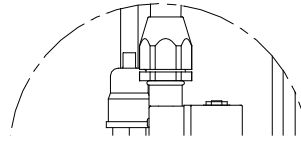
Boîtier de la membrane / Membrane

Chaque boîtier de membrane contient une membrane composite de pellicule mince de 10,12 cm x 101,16 cm (4 po x 40 po).



Assemblage du contrôle du flux de concentrat

Le contrôle du flux de concentrat est utilisé pour ajuster la récupération du système. Les systèmes TX RO sont conçus pour fonctionner à 50 % d'efficacité de récupération et à 25 % de récupération en mode sans sel.

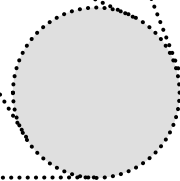


Raccord de vidange

Le raccord de vidange est un raccord à branchement rapide de 12,7 mm (1/2 po) situé au centre du système.

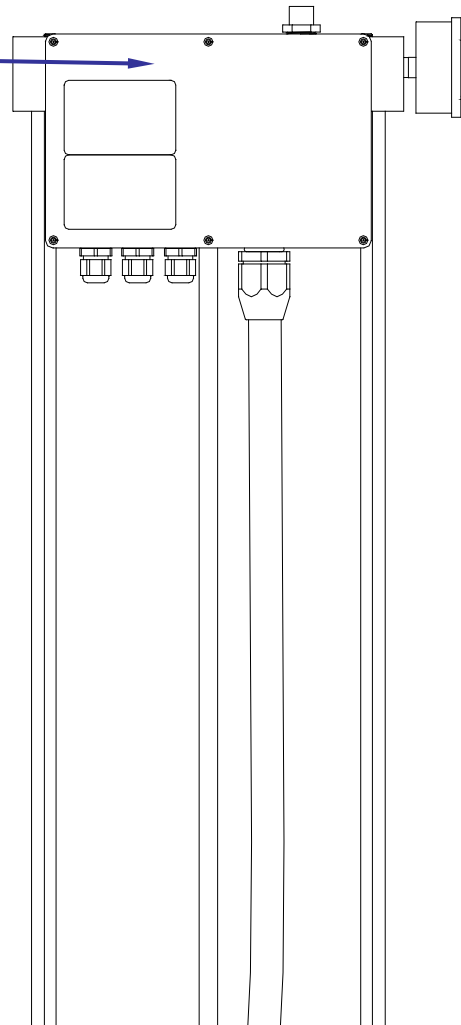
Raccord de perméat

Le raccord de perméat est un raccord à branchement rapide de 95 mm (3/8 po) situé du côté gauche du système. Cette conduite doit être raccordée à un réservoir atmosphérique de stockage.



Boîte de commande

La boîte de commande comprend les instruments nécessaires au fonctionnement du système. Tous les composants électroniques de l'appareil sont acheminés à travers la boîte de commande. L'alimentation principale est également acheminée à travers la boîte de commande.



INSTALLATION

Les procédures suivantes ont été développées pour vous aider lors de l'installation de votre système TX 1440 RO pour toute la maison.



L'installation de ce système d'osmose inverse doit être effectuée par un technicien qualifié ayant une bonne compréhension des codes locaux et régionaux susceptibles d'influer la configuration requise pour l'installation.

Vérification avant l'installation

Avant de commencer l'installation du système RO, vérifier la configuration du système à installer et les composants qui ont été commandés. Veuillez également consulter la fiche signalétique du produit RO, car elle inclut les composants requis.

Il est également recommandé de vérifier que l'installation du client, en particulier les données de fonctionnement critique pouvant influencer le fonctionnement du système :



Pression d'eau

La pression de l'eau du système RO aura une influence sur le débit maximal permis par le système. Le système RO ne fonctionnera pas si la pression d'entrée fluctue en dessous de la pression dynamique de 15 psi (1,0 bar). La pression minimale doit être maintenue dans le système en tout temps. Si la pression fluctue en dessous de ce niveau, une pompe de gavage pourrait être requise. La pression d'alimentation maximale de l'eau du système est de 70 psi (4,8 bars).



Température

La température ambiante doit être maintenue au-dessus de 0 °C (32 °F). Des températures inférieures au point de congélation endommageront l'équipement et annuleront toutes les garanties.



Température de l'eau

La température de l'eau d'entrée doit être maintenue entre 1,6 °C et 32,2 °C (35 °F et 90 °F) pour éviter d'endommager les membranes du système.



Emplacement du système

L'appareil est conçu pour une installation à l'intérieur ou à l'extérieur. Tous les composants électriques sont imperméables à l'eau et tous les matériaux de construction exposés sont résistants aux UV.

Installation du système d'osmose inverse



Outils et matériaux d'installation

Comme l'osmose inverse traite de l'eau de haute qualité acheminée par la plomberie, des robinets de purge et de vidange doivent être installés avec des tuyaux en PVC ou en polyéthylène. Les tuyaux en cuivre et galvanisés peuvent subir de la corrosion lorsqu'ils entrent en contact avec de l'eau de perméat.

Déballage de l'appareil

- 1) Enlever le système RO de son emballage.
- 2) Inspecter l'appareil pour vérifier qu'il n'a pas été endommagé pendant le transport :
 - raccords endommagés
 - bosselage ou égratignures
- 3) Vérifier tous les raccords et boulons de montage. Les resserrer au besoin, car ils auraient pu se desserrer pendant le transport.
- 4) Enlever les matériaux auxiliaires et la documentation de l'emballage.

Positionnement



- Intérieur ou extérieur.
- Niveau.
- Accès à la conduite de vidange.
- Accès au branchement électrique.
- Accès à une alimentation d'eau adéquate.

Après avoir déplacé l'appareil vers son site d'installation, sélectionner un endroit d'où il sera facile d'accéder à la partie avant supérieure de l'appareil. Si l'appareil est installé contre un mur, laisser un accès d'au moins 15 cm (6 po) à l'arrière de l'appareil. Laisser un espace d'au moins 15 cm (6 po) sur les deux côtés du système. Un espacement de 91 cm (36 po) à l'avant du système est requis pour la boîte de commande électrique.

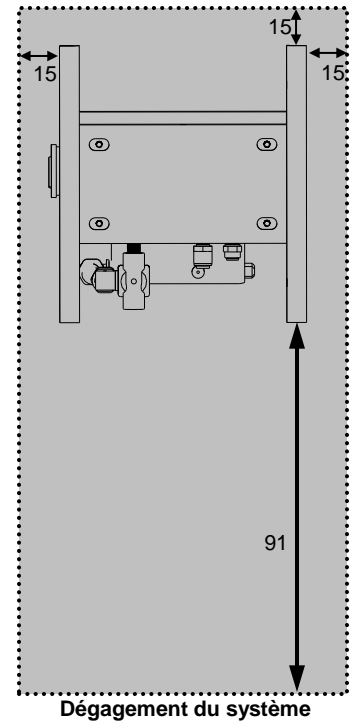


Figure 1

Raccords de plomberie

- 1) Raccorder la conduite d'alimentation de l'eau à l'entrée du système TX 1440 RO pour toute la maison (1). Le raccord du système RO est de 12,7 mm (1/2 po) FNPT, et se fait directement sur la valve électromagnétique d'entrée.
- 2) À partir du clapet de non-retour, raccorder la conduite de perméat à l'aide d'un tuyau de 95 mm (3/8 po) (2). Ce raccord doit mener à un réservoir atmosphérique de stockage ou à un réservoir pneumatique d'admission d'air.
- 3) Raccorder la conduite de vidange à l'aide d'un tuyau de 12,7 mm (1/2 po) (3). Ce raccord doit être acheminé vers un drain en conformité avec les exigences et les codes locaux de votre région.
- 4) En plus des raccords de plomberie RO, il est recommandé d'installer une dérivation en utilisant des valves à bille de taille adéquate.

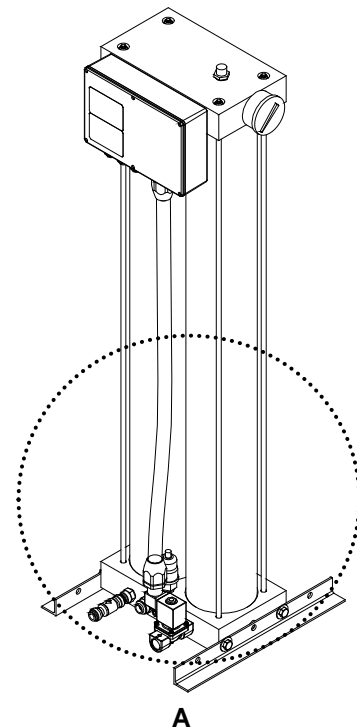
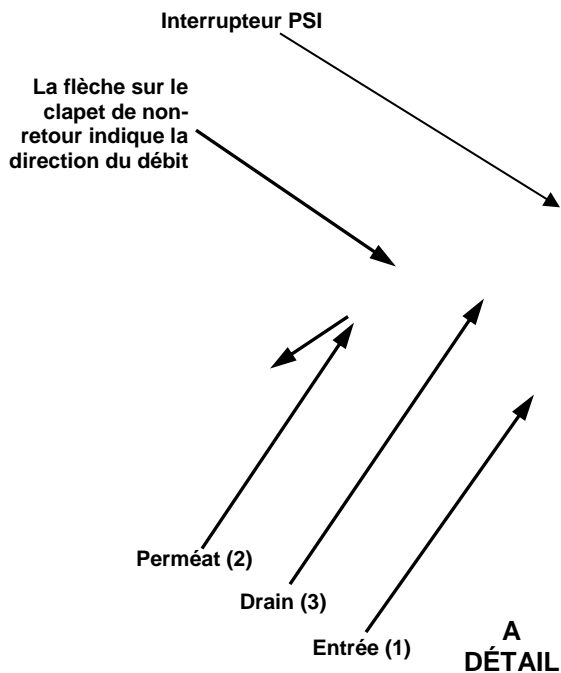


Figure 2

Branchement électrique –240 Volts monophasé

Après avoir effectué les raccords de plomberie, brancher le système TX 1440 RO pour toute la maison. Les exigences d'alimentation électrique sont indiquées ci-dessous.

240 V c.a., 60 Hz, monophasé

- Courant à pleine charge : 8,1 A
- Conducteur du circuit de dérivation requis : Fusible temporisé de 250 V/15 A RK5
- Conducteur du circuit de dérivation : N° 14 AWG minimum (758C Cu)
- Conducteur de mise à la terre de l'équipement : N° 14 AWG minimum (758C Cu)
- Un sectionneur verrouillable et à fusibles d'une puissance minimale de 250 V c.a./30 A comprenant un mécanisme de rejet de classe R doit être installé à moins de 15,2 m (50 pi) de cet équipement ou selon les règlements locaux. Le sectionneur doit être visible à partir de cet équipement.



Outils et matériaux requis pour l'installation électrique

Sectionneur à fusibles
Multimètre



Utiliser un multimètre pour vérifier que l'alimentation fournie au système TX 1440 RO a une tension appropriée. Lorsque la tension appropriée de la source d'alimentation aura été confirmée, couper l'alimentation et confirmer avec le multimètre que l'appareil n'est plus alimenté. Il est également recommandé d'utiliser un kit de verrouillage sur l'alimentation électrique afin d'éviter qu'elle soit alimentée pendant l'installation.

- 1) **Le câblage doit être effectué par un électricien qualifié et doit respecter tous les codes locaux appropriés.**
- 2) Cet appareil doit être branché à un sectionneur dédié. Ce sectionneur doit être situé à moins de 15 m (50 pi) de l'équipement et être visible de l'appareil. Le sectionneur doit être verrouillable et comporter des fusibles et avoir une puissance minimale de 250 V c.a./30 A.
- 3) Le sectionneur doit utiliser un fusible temporisé RK5 TD de classe UL (ou équivalent). (Les fusibles doivent avoir la bonne taille. Consulter les renseignements ci-dessus.)
- 4) Effectuer le raccordement de l'alimentation électrique vers le système RO depuis le sectionneur à fusibles. Les conducteurs d'alimentation doivent être raccordés aux bornes, comme illustré à la figure 3 ci-dessous. Le conducteur de mise à la terre doit être raccordé à la borne, comme illustré à la figure 3 ci-dessous.
- 5) Brancher le contacteur de niveau/manostat normalement ouvert aux bornes, comme illustré à la figure 3 ci-dessous.

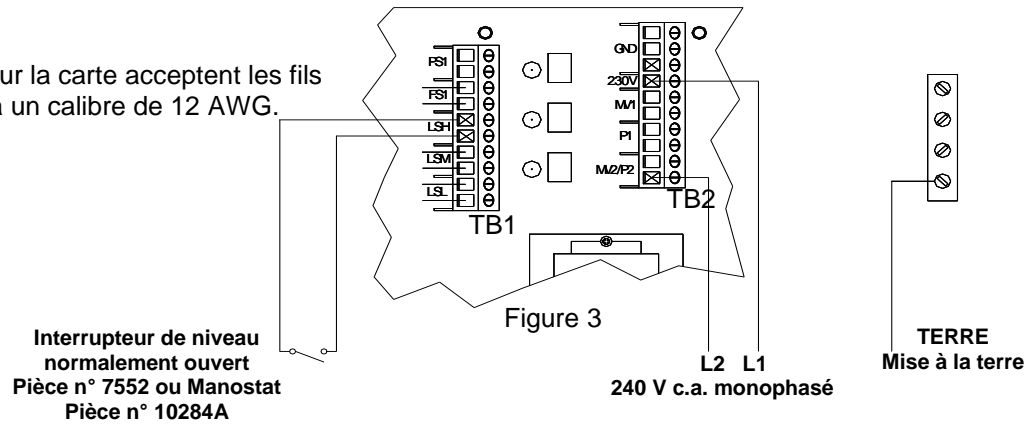
Fonctionnement des commandes du système

Le système TX 1440 RO pour toute la maison est doté d'un mécanisme de contrôle simple. L'appareil utilise un contact sec pour faire fonctionner le système. La carte de circuits imprimés du système RO fournira une alimentation interne à ce contact sec au moyen d'un signal à faible tension (5 V c.c.).

Le fonctionnement du faisceau de câblage du système est conçu pour être branché à un interrupteur de niveau ou de pression normalement ouvert. Lorsque l'interrupteur est fermé, l'appareil n'est plus alimenté.

Remarque :

Les bornes sur la carte acceptent les fils jusqu'à un calibre de 12 AWG.

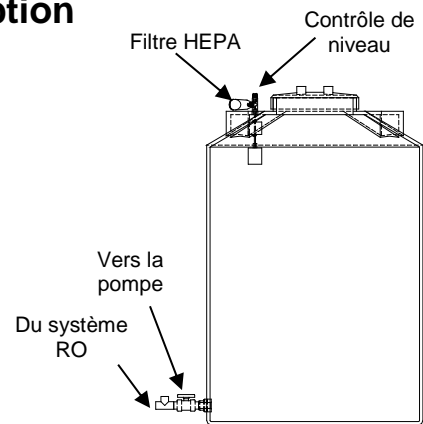


Installation d'un réservoir atmosphérique en option



Outils et matériaux d'installation

- Tuyau de 95 mm (3/8 po)
- Tuyau de plastique de 25,4 mm (1 po)
- Ruban Teflon®
- Enduit d'étanchéité pour tuyau
- Adaptateur fileté mâle de 31,7 mm (1-1/4 po) pour l'entrée de la pompe
- Adaptateur fileté mâle de 25,4 mm (1 po) pour la sortie de la pompe
- Nettoyant pour tuyaux en plastique
- Ciment pour tuyaux en plastique
- Coupe-conduits pour tuyaux en plastique



Utiliser du ruban Teflon et de l'enduit d'étanchéité pour tuyau sur tous les raccords filetés. Il n'est pas nécessaire de visser complètement les raccords. Pour éviter que les raccords ne se fendent, laisser 2 ou 3 filets exposés. Nettoyer d'abord les raccords en plastique avant de les coller. Pour effectuer les raccords des tuyaux en plastique, ces derniers doivent être coupés droit à l'aide d'une lame bien aiguisée. Ces procédures réduiront les risques de fuite au niveau des raccords.

REMARQUE : Si un débordement est requis, consulter le service technique.

Raccordement du réservoir

Consulter la figure 4 à droite.

- La figure à droite montre l'ensemble du raccordement du réservoir.
- Raccorder le connecteur de 95 mm (3/8 po) à un manchon réducteur de 12,7 mm (1/2 po) x 25,4 mm (1 po).
- Raccorder l'adaptateur à la sortie du raccord en « T » de 25,4 mm (1 po).
- À l'autre sortie du raccord en « T », raccorder le petit mamelon de 25,4 mm (1 po).
- Raccorder le coude à 90° de 25,4 mm (1 po) au petit mamelon de 25,4 mm (1 po).
- Raccorder le petit mamelon de 25,4 mm (1 po) au coude à 90° de 25,4 mm (1 po).
- Raccorder le mamelon au clapet de non-retour de 25,4 mm (1 po) NPT.
- Raccorder un petit mamelon de 25,4 mm (1 po) à l'entrée commune du raccord en « T ».

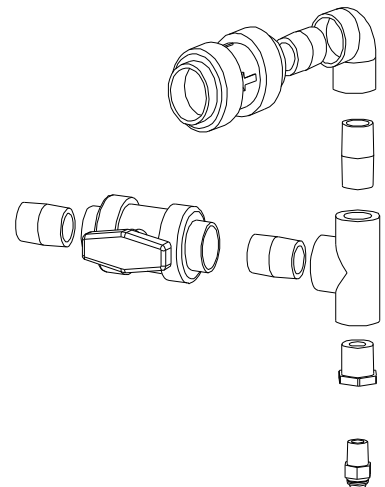


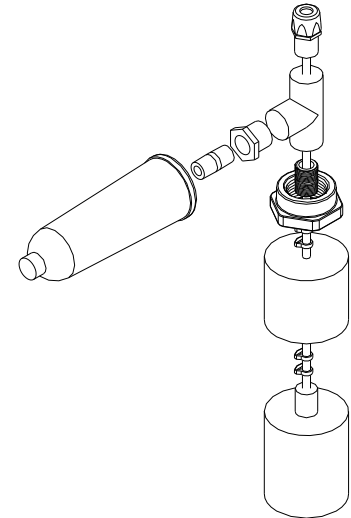
Figure 4

- Raccorder une vanne à bille à union totale de 25,4 mm (1 po) au petit mamelon.
- Raccorder un petit mamelon de 25,4 mm (1 po) à l'autre extrémité de la vanne à bille.
- Désassembler la vanne à bille à union totale et le mamelon. Effectuer le raccord entre ce mamelon et le réservoir.
- Réassembler la vanne à bille.
- Ajouter un raccord de débordement au réservoir. Le raccord de débordement doit être raccordé à l'admission d'air avant d'être raccordé au drain.

Contrôle de niveau élevé

Consulter la figure 5 à droite.

- Assembler les composants de l'interrupteur à flotteur à la partie supérieure du réservoir.
- Place l'interrupteur du contrôle de niveau avec le cordon dans le réservoir à travers le trou d'homme.
- Acheminer le cordon à l'extérieur du réservoir à travers la cloison, le mamelon, le raccord en « T » et la bride de cordon.
- Serrer en place.
- Visser le filtre HEPA horizontalement dans le mamelon de 95 mm (3/8 po) du raccord en « T ».
- Débrancher l'alimentation électrique du système TX 1440.
- Ouvrir la porte avant du système.
- Acheminer le cordon vers la boîte de commande du système TX 1440 à l'aide d'une autre bride de cordon.
- Brancher le câblage des bornes du « flotteur du système », comme illustré dans le schéma de câblage électrique (Figure 3).

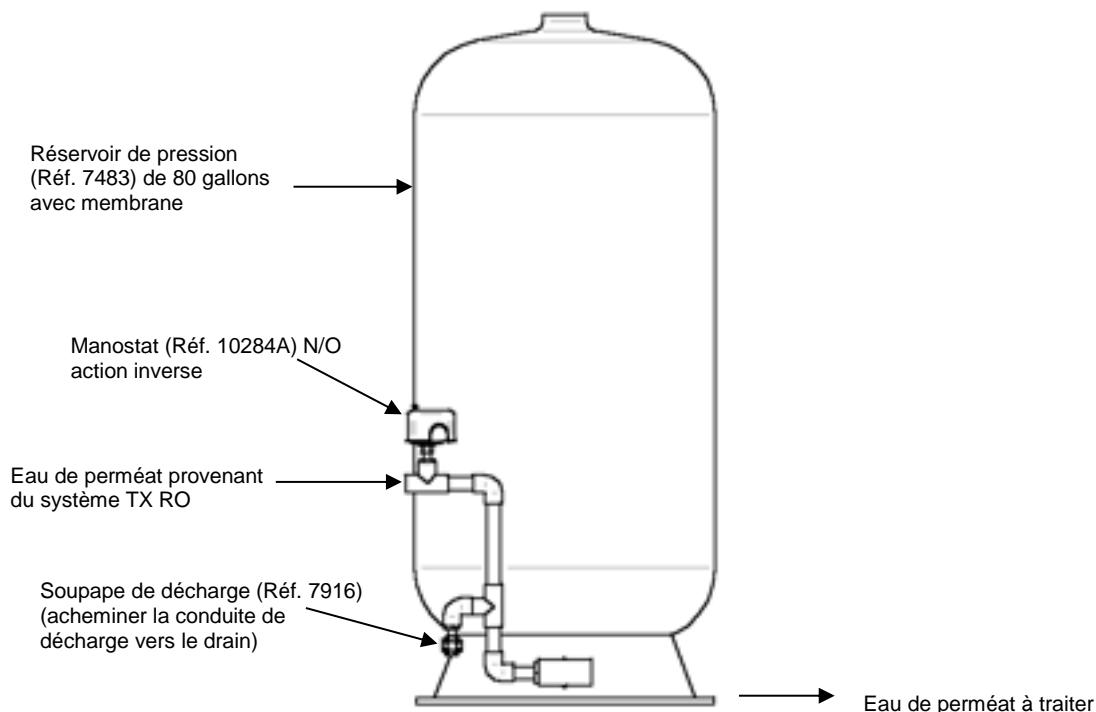


Installation du réservoir hermétique (à membrane) en option

Dans certaines applications, un réservoir hermétique (à membrane) pourrait être utilisé à la place d'un réservoir atmosphérique. Lors de l'installation d'un réservoir hermétique avec le système TX RO, un manostat à cycle réversible de pression et une soupape de décharge sont requis. Le manostat est réglé à 30/50 pour activer le système TX RO à 30 psi (2 bars) et le désactiver à 50 psi (3,4 bars).



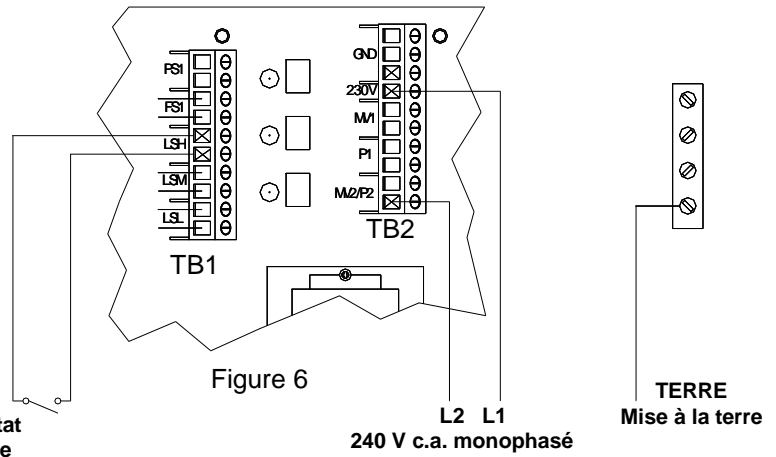
Important : La soupape de décharge est utilisée comme protection de sécurité au cas où le manostat ne fonctionnerait pas. La soupape de décharge s'ouvre à 100 psi (6,9 bars) afin de permettre à la pression d'être évacuée du réservoir. La conduite de décharge est acheminée vers le drain.



1. Le ressort du manostat (Réf. 10284A) est réglé pour être activé à une pression de 30 psi (2 bars) et désactivé à une pression de 50 psi (3,4 bars). (Remarque : Le réglage 30/50 est standard. Si un réglage différent de l'interrupteur est requis, le ressort de l'interrupteur doit être ajusté.)
2. Brancher les deux (2) câbles du conducteur (2 fils) aux contacts normalement ouverts du manostat (Réf. 10284A). Il s'agit d'un contact à faible tension, la taille du câble du conducteur peut varier (le calibre est normalement entre 14 et 20).
3. Acheminer les deux (2) câbles de conducteur dans le panneau de commande du système TX RO et les brancher aux contacts du contrôleur marqué LSH (Figure 6).

Remarque : Les bornes sur la carte acceptent les fils jusqu'à un calibre de 12 AWG.

Interrupteur de niveau
normalement ouvert ou manostat
(Consulter le manuel technique
de la série TX pour obtenir les
numéros de pièce Kinetico)



MISE EN SERVICE DU SYSTÈME (DÉMARRAGE INITIAL)

Les procédures de démarrage de l'équipement doivent être suivies si :

- l'appareil est mis en marche pour la première fois,
- l'équipement a été déplacé,
- l'appareil a été éteint pendant une période de temps prolongée (quelques semaines).

Après avoir terminé ces procédures de démarrage, les procédures de fonctionnement normales doivent être suivies. S'assurer que l'appareil a été correctement installé en passant en revue la section « Installation ».



Outils de démarrage recommandés

Tuyau de 95 mm (3/8 po)

Coupe-conduits

Mesureur de conductibilité portatif

- 1) Raccorder temporairement la conduite de perméat au drain en utilisant un tuyau de 95 mm (3/8 po).
- 2) Ouvrir lentement la soupape d'alimentation d'eau afin de pressuriser le système.
- 3) Vérifier s'il y a des fuites.
- 4) Serrer tous les raccords qui présentent des fuites.
- 5) Ne pas utiliser une clé à tube pour serrer les raccords en plastique, car cela pourrait endommager le tuyau et briser l'ensemble de la plomberie.
- 6) Activer le sectionneur
- 7) pour mettre la pompe en marche. La pompe peut être désactivée à plusieurs reprises pendant que l'air est purgé du système.
- 8) Après 10 minutes de fonctionnement, les membranes devraient être adéquatement débarrassées de tous les conservateurs.
- 9) Prendre un échantillon d'eau de perméat et mesurer la conductivité à l'aide d'un contrôleur portatif.
- 10) Observer la pression du système indiquée sur la jauge de pression. La pression de fonctionnement du système est influencée par la pression de l'alimentation; la plage normale de fonctionnement se situe entre 85 et 130 psi (5,8 bars et 8,9 bars). Consulter le service technique si la pression est à l'extérieur de cette plage, car la plaque de l'orifice de vidange ou de recyclage devra être changée pour ramener la pression dans la plage appropriée.
- 11) Éteindre le système en désactivant le sectionneur.
- 12) Raccorder la conduite de perméat au réservoir de stockage.
- 13) Activer le sectionneur.
- 14) L'eau de perméat devrait maintenant commencer à remplir le réservoir de stockage.
- 15) Vérifier la mise hors tension du système en activant manuellement le contacteur de niveau/manostat de réservoir plein.

PIÈCES

Composants électriques

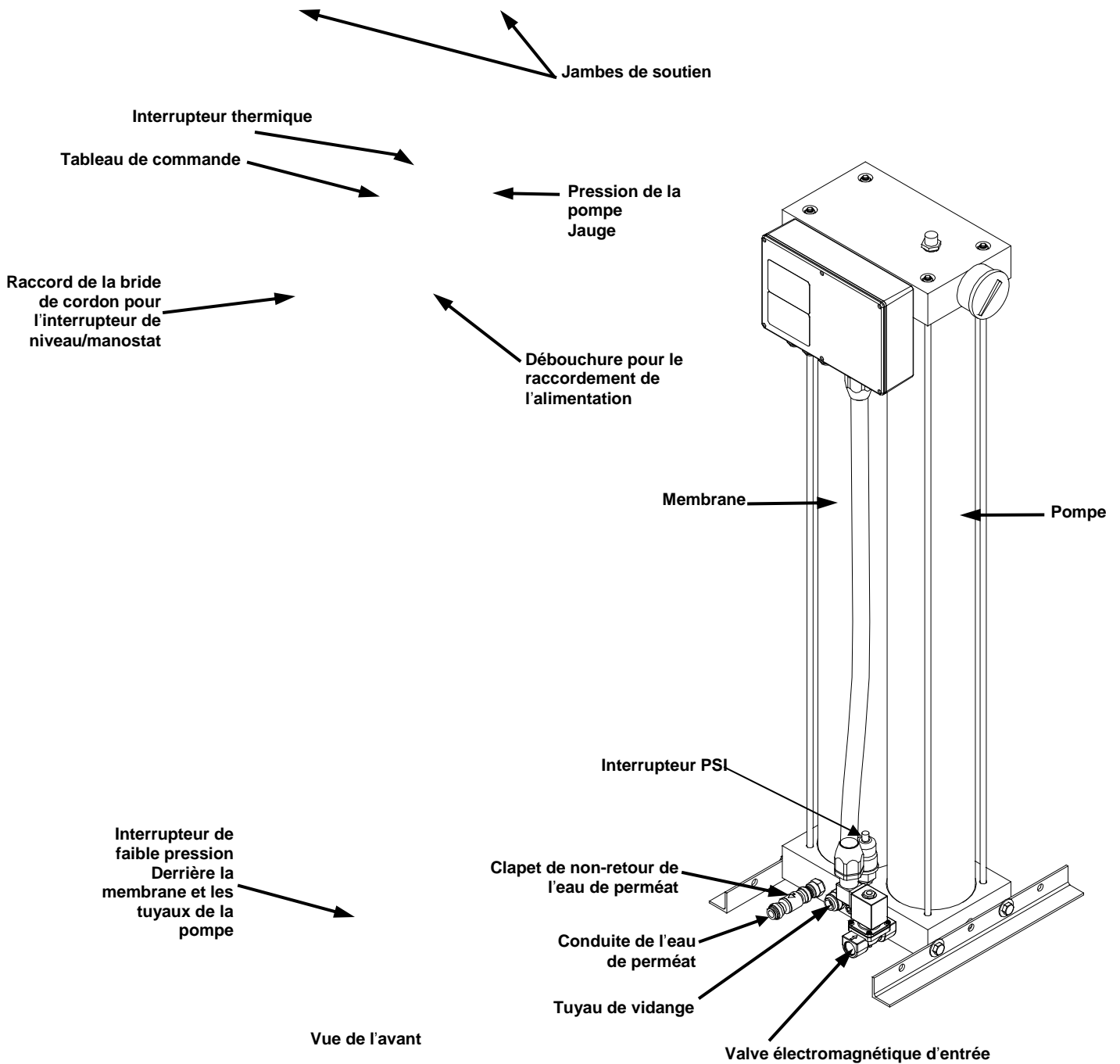
Description	Numéro de pièce	Qté
Interrupteur de faible pression	13589A	1
Boîte de commande CRO	13570B	1
Valve électromagnétique d'entrée	8480A	1
Thermostat	13569	1
Fusible, 0,3 A	9864	2
Moteur, ¼ HP	10288	1
Pompe, ¼ HP	10287	1

Composants de plomberie

Description	Numéro de pièce	Qté
Clapet de non-retour de 95 mm (3/8 po)	8954C	1
Jauge de 0 à 160 psi (0 à 11 bars)	8307B	1
Joint torique du tube de la membrane 244	13561	4
Joint torique du mamelon de la membrane 116	12703	4
Membrane XLE 4040	10230	1
Disque du flotteur de 1,4 gpm	10243	-
Disque réducteur de débit de 2,5 gpm	8384	-
Disque réducteur de débit de 2,8 gpm	10244	-
Disque réducteur de débit de 4,1 gpm	10245	-
Disque réducteur de débit de 5,0 gpm	13597	-
Disque réducteur de débit de 5,5 gpm	10246	-
Disque réducteur de débit de 8,0 gpm	13592	-
Attache en E, interne	13573	2
Raccord de drain –Disque du flotteur	13567	1

IDENTIFICATION DES PIÈCES

Vue du dessous



DÉPANNAGE

Système désactivé –Le système ne fonctionne pas

L'alimentation a été coupée

S'assurer que le circuit de dérivation est activé.

Fusible grillé

S'assurer que le circuit de dérivation est activé pendant les trois phases.



Éteindre le sectionneur du système TX RO.

Ouvrir l'enceinte.

Enlever à tour de rôle chaque fusible.

Vérifier les fusibles en ligne de la valve électromagnétique de la boîte de commande.

Vérifier la continuité du fusible.

Remplacer le fusible par un neuf après avoir déterminé pourquoi il a grillé.

La pompe du système RO ne démarre jamais

Aucune alimentation

Suivre les directives de la section « Système désactivé ».

Le système n'a pas encore besoin de produire d'eau

S'assurer que le flotteur du système est en position abaissée, puis attendre le temps approprié (le réglage du temps d'attente par défaut est de 6 secondes).

Flotteur de niveau élevé incorrect

Le système commencera à fonctionner lorsqu'il y aura un contact ouvert du flotteur de niveau élevé. Vérifier le câblage et la continuité de l'interrupteur aux positions marche et arrêt.

L'interrupteur du flotteur de niveau élevé ne fonctionne pas correctement

Vérifier le fonctionnement avec le testeur de continuité.

Le réservoir d'alimentation déborde

Mauvais fonctionnement du flotteur de niveau

Vérifier le placement du flotteur de niveau élevé. Le flotteur doit entrer en contact avant que le niveau de l'eau atteigne le haut du réservoir.

La valve électromagnétique d'entrée ne se ferme pas

Couper le système. Lorsque le réservoir a terminé un cycle de remplissage, vérifier la conduite de perméat et la conduite de vidange. L'eau ne doit pas couler. Si de l'eau coule, isoler le système et vérifier la valve électromagnétique d'entrée.

Mauvaise qualité

Le niveau total de particules solides dissoutes à l'entrée est trop élevé

Vérifier le niveau total de particules solides dissoutes à l'entrée. Le système TX RO est conçu pour fonctionner avec ~ 98 % de rejet.

Le système ne fonctionne pas selon les spécifications

Valider les paramètres de fonctionnement du système. Le système devrait fonctionner selon les taux prévus de débit de perméat, de recyclage et de rejet.

Le joint de la saumure fuit
Le chlore a endommagé les membranes

Vérifier la conductivité de l'eau de perméat.
Vérifier les niveaux de chlore à l'entrée, les résidus de chlore doivent être inférieurs à 0,05 mg/L pour éviter d'endommager la membrane composite de pellicule mince.

Le système ne fonctionne pas de façon régulière

Faible pression

La pression est trop basse. Vérifier la pression à l'entrée alors que le système fonctionne. Le système s'arrêtera si la pression est inférieure à 15 psi (1,0 bar).

Cartouche de filtre

Remplacer si la perte de pression est supérieure à 5 psi (0,3 bar).

Le système fuit

Vérifier et colmater la fuite.

Faible débit de perméat

La température de l'eau est trop basse.

Les membranes sont colmatées.

Membranes colmatées

Vérifier le journal du système pour l'historique. Si la baisse de production est continue, nettoyer les membranes. Consulter le détaillant Kinetico pour connaître les procédures de nettoyage et les produits chimiques nécessaires.

Confirmer les paramètres de fonctionnement du système.

L'interrupteur à flotteur ne fonctionne pas correctement

Vérifier le fonctionnement de l'interrupteur de niveau élevé.

Faible volume de production

Le système ne fonctionne pas selon les spécifications

Valider les paramètres de fonctionnement du système. Le système devrait fonctionner selon les taux prévus de débit de perméat, de recyclage et de rejet.

Température froide

La température de l'eau d'alimentation est inférieure à 25 °C (77 °F).

Membranes colmatées

Vérifier la qualité de l'eau de perméat.

Faible pression de la pompe

Les systèmes TX RO sont conçus pour produire les volumes d'eau de perméat projetés lorsque la pression de la pompe est de 110 psi (7,5 bars) et à une température d'au moins 25 °C (77 °F). Vérifier si la pression de la pompe est inférieure à 110 psi (7,5 bars).

Changement de la qualité de l'eau d'alimentation

Analyser le niveau de chlore, la dureté de l'eau et la température.



OWNERS MANUAL / GUIDE DU PROPRIÉTAIRE
TX SERIES / SÉRIE TX

2016, Kinetico Incorporated

Product No. 13591E