

AquaKinetic®

 Kinetico®
home water systems

A200 Drinking Water System A200 système d'eau de boisson Sistema de agua potable A200



Owner's Manual • Guide d'utilisation • Manual del usuario

A200 Drinking Water System

Owner's Manual



Congratulations for choosing the A200 Drinking Water System to improve the quality of your water. You will immediately begin to notice the numerous benefits of having quality water in your home and the benefits of having an A200 Drinking Water System.

Since 1970, Kinetico Incorporated has designed and manufactured products to improve the quality of your water. Kinetico offers a complete line of quality water systems to solve your water problems. Pioneers in non-electric, demand-operated water treatment, Kinetico continually sets the direction for the entire water quality industry.

© 2015 Kinetico Incorporated

“Kinetico,” the Kinetico logo, are registered trademarks in the United States, other countries or both, of Kinetico Incorporated, Newbury, Ohio.

Table of Contents

About the A200 Drinking Water System.....	3
How to Use High Quality Drinking Water.....	3
How Your A200 Drinking Water System Works.....	4
System Accessories	6
Maintaining Your A200 Drinking Water System	7
Shutting Off the System.....	7
Booster Pumps	7
Filter Changes.....	7
Sanitization Procedure	8
Replacement Filter Cartridges.....	11
System Specifications	12
Maintenance Record	13
Version Francaise.....	F1
Version Español	E1

KINETICO INCORPORATED

10845 Kinsman Rd.
Newbury, Ohio, 44065
USA
www.kinetico.com

KINETICO CANADA INCORPORATED

21 Parr Blvd., Unit 10
Bolton, ON L7E 4G3
Canada
www.kinetico.com

KINETICO DENMARK

ApS
Sandvadsvej7
4600 Køge
Denmark

KINETICO UK LIMITED

Bridge House
Park Gate Business
Centre
Chandler's Way
Park Gate SO 31 1FQ
England
www.kinetico.co.uk

KINETICO FRANCE

Sarl
B.P. 80528 Osny
95528 Cergy-Pontoise Cedex
France
www.kinetico.fr

KINETICO GERMANY GMBH

Bunzlauerstrasse 12-D
Höher-Grenzhausen
Germany 56203

About the A200 Drinking Water System



Water is the most important resource liquid in the world. And although the water you use for drinking and cooking constitutes less than one percent of all water used in the home, its quality is probably most important to you.

Experts suggest you drink approximately eight, eight-ounce glasses of water per day. Now that you have an A200 Drinking Water System, you can rest assured you're drinking clean, high quality water. And it will taste great too. With an A200 Drinking Water System, drinking those eight glasses of water will be a pleasure, not a chore.

How To Use High Quality Drinking Water

Since A200 Drinking Water Systems significantly reduce heavy metals (such as lead), chemicals, minerals, and unpleasant tastes and odors in your water*, you may want to make some adjustments when using A200 Drinking Water when cooking.

* The contaminants listed are not necessarily in your water.

1 Let your taste buds decide how much water to use.

When mixing concentrated juices and drinks or making gelatin, tea or coffee, you may need to adjust the amount of water used. You may find that you can use less coffee or tea and still get the desired taste. Or in the case of concentrated drinks, you can add more water without getting a watered-down taste. Also, it probably won't be necessary for you to descale your automatic coffee maker with vinegar as recommended.



2 A200 Drinking Water is ideal for cooking and baking.

Don't forget to use water from your A200 Drinking Water System for cooking pasta, and washing fruits and vegetables. Whenever a recipe calls for water, reach for your special drinking water tap.

3 Use A200 Drinking Water in irons and small humidifiers/vaporizers.

For extended operation and easier maintenance, use A200 Drinking Water in irons and small humidifiers. You'll no longer have to buy distilled water or suffer the consequences of using common tap water in irons and humidifiers. Since water produced by your system has a reduced mineral content, it's ideal for use in these appliances and it's available right at your kitchen sink.

4 Make ice cubes with A200 Drinking Water.

If your refrigerator/freezer is equipped with an ice maker, you may want to consider running a line from your system to the ice maker. If you don't have an ice maker, be sure to fill your ice cube trays with Kinetico Drinking Water. Either way, you'll be able to enjoy better tasting and clearer ice cubes.

5 Houseplants and pets like Kinetico Drinking Water too.

Don't forget about your plants and pets. Just like you, they'll love Kinetico Drinking Water.



How Your A200 Drinking Water System Works

A200 Drinking Water Systems offer five stages of protection to ensure you're always getting good, clean water. The system significantly reduces the heavy metals, chemicals, minerals, and objectionable tastes and odors that may be in your water. See performance data sheet for individual contaminants and reduction performance.

Stage 1 – Prefilter

The first filtration stage, the prefilter (Part No: sediment 9309A, high capacity carbon / sediment 9461A), prepares the water for the reverse osmosis process. The five-micron filter captures sediment and small particulate matter, and reduces chlorine (high-capacity carbon / sediment only) protecting the reverse osmosis membrane and enhancing its performance.

Stage 2 – Reverse Osmosis Membrane

After prefiltration, the water travels to the reverse osmosis membrane cartridge where the primary cleaning is performed. Here, water is forced through a semipermeable membrane under pressure, many or most minerals, chemicals or objectionable matter that might have been in your water are flushed down the drain.

Stage 3 – Storage Tank

After the water is processed, it is stored in a tank until needed. Kinetico's storage tank turnover feature keeps the water from becoming stale.

Stage 4 – Postfilter Polisher

After leaving the storage tank, the water travels to the postfilter (Part No. 9306B). Containing activated carbon, the postfilter gives a final polish to your water, further reducing unpleasant tastes and odors.

Stage 5 – Faucet

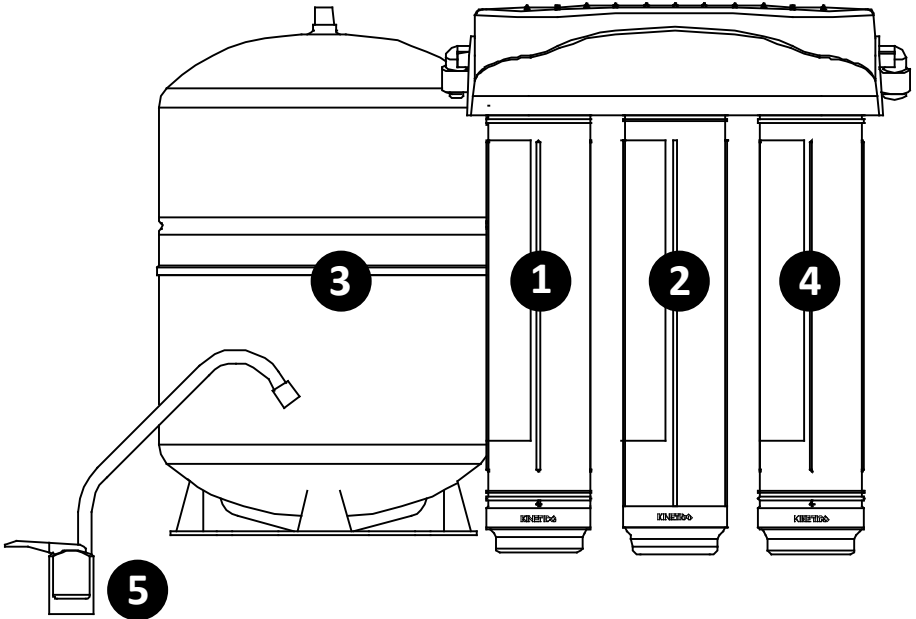
The final protection stage is a custom, decorator, lead-free tap, which is mounted on your sink. With this tap, you can be sure that lead won't be added into your drinking water.

Demand Operation Means Added Efficiency

A200 Drinking Water Systems are non-electric and demand-operated, which means they operate according to your usage. With demand-operation, A200 Drinking Water Systems produce high quality drinking water, while they maximize water efficiency and performance.

Automatic System Shutdown Conserves Water

When the storage tank is full, your A200 Drinking Water System shuts down. It will begin making water again when the storage tank has been partially emptied. A storage tank turnover feature ensures fresher, better-tasting water and prevents unnecessary continuous water production. Unlike other systems, processed water is not constantly sent to drain.



Quick Disconnect Filter Cartridges Make Maintenance Easy

Filter changes are a snap on the A200 Drinking Water System. After fully depressurizing your system, change cartridges simply by twisting them one-quarter turn and pulling downward. Detailed instructions are provided with each replacement cartridge. Additional information is supplied in this owner's manual under "Filter Changes."



System Accessories

Your system may also include the following upgrades, which are available from your local Kinetico dealer.

Decorator Finish, Lead-free Drinking Water Taps

If your system was upgraded with a Kinetico decorator tap, rotate the handle to dispense your drinking water. Decorator taps are available in Classic Chrome, Satin Nickel/ Stainless, Brilliant Nickel, Oil Rubbed Bronze, Polished Brass, Arctic White, Light Biscuit and Black Licorice.

Oversized Storage Tank*

A larger storage tank supplies more water on demand for larger families, but functions like the standard tank. There's no need to do anything special to your system. Simply enjoy your clean, clear drinking water.

*System accessory is not WQA certified.

Maintaining Your Drinking Water System

NOTE: *You must follow the A200 Drinking Water System's operational, maintenance and replacement instructions to ensure proper system performance. Recommended hardness is zero to 10 gpg for extended product life. Do not use where water is microbiologically unsafe or with water of unknown quality. Systems claiming cyst reduction may be used on disinfected water containing filterable cysts.*

The A200 Drinking Water System must be properly maintained to continue providing high quality drinking water.

Shutting Off the System

If you should ever discover a problem with your drinking water system, turn off the water supply to the system. Then call your authorized Kinetico dealer for service. If you plan to be away from home for more than a few days, shut off the water supply to your system to extend its life. You may also want to drain the drinking water storage tank upon your return to ensure the freshest water.

Booster Pumps

Some households require booster pumps to ensure that adequate feed pressure is being supplied to the system. Unplug or turn off the power supply to any pumps before attempting to service your system.

Filter Changes

An average family of four with average drinking water use can expect the prefilter and postfilter cartridges to last approximately nine months to one year. Kinetico recommends annual cartridge replacements for these cartridges. The reverse osmosis membrane cartridge should be replaced when the system stops properly reducing dissolved solids.

Your local, authorized Kinetico dealer will change your cartridges, completely sanitize your system, check your water and make sure your system is operating properly. If you choose to install your new cartridges yourself, follow the instructions carefully. Never attempt to remove any of the system's cartridges without first depressurizing the system. Be sure to completely sanitize your system by following the instructions provided in the "Sanitization Procedure" section of this owner's manual to prevent contamination from human contact.

Sanitization Procedure

If you choose to change the cartridges on your A200 Drinking Water System yourself, you must use a sanitization kit available from your Kineticco dealer. Follow the instructions to fully sanitize your system. Wash your hands thoroughly and do not touch any internal portions of the system. Or call your local, authorized Kineticco dealer who can change the necessary filters, disinfect your system and analyze your water to be sure it is of the best quality.

WARNING: To avoid possible injury and property damage. This system must be properly depressurized before attempting to remove any cartridge or other component.

NOTE: Be prepared to catch any water when disconnecting and sanitizing your system.

- A. Remove the decorative cover. Close the cold water supply valve. Open the drinking water tap to drain the storage tank. Wait until all the flow stops at the open tap before continuing (this may take several minutes).
- B. Remove the prefilter and postfilter cartridges **1**. Be prepared to catch accidental water spills when removing the cartridges. Discard the cartridges. Remove the membrane cartridge from the center of the bracket assembly **2**. Drain this cartridge into a pan or the sink and retain it for reinstallation later in this procedure.
- C. Fill the sanitizer cartridges full with clean water. Add 1 dropper (5 mL) of regular, unscented household bleach (5.25% sodium hypochlorite) to the center of each cartridge **3**. Install the sanitizer cartridges into the prefilter, postfilter and membrane heads **4**.
- D. Close the drinking water tap. Be sure the storage tank valve is open. Slowly open the cold water supply valve and allow chlorinated water to fill the storage tank for approximately four to five minutes.
- E. Close the cold water supply valve and the storage tank valve. Open the tap to depressurize the system. Remove the sanitizer cartridges **5**. Be prepared to catch accidental spills from these cartridges. Drain the cartridges. Set aside one of the cartridges for use in Step G. Retain the other two sanitizer cartridges for future use. Close the tap.
- F. Install the new postfilter cartridge into the postfilter head on the right-hand side of the bracket manifold. Install the membrane cartridge into the center of the bracket manifold **6**.
- G. Mix 1/3 cup clean water with one level teaspoon of Iron Out or sodium metabisulfite. Add this solution to the sanitizer cartridge left from Step E. A small, plastic household funnel or the dropper provided in Kineticco's sanitization kit may aid in adding solution to the cartridge. Be sure to thoroughly wash the funnel before using for any other purpose. Add enough clean water to this cartridge to fill it and install it to the prefilter head **7**.

- H. Disconnect the tubing from the storage tank valve and put the tubing end into a bucket or pan. Open the cold water supply valve and allow the product water to discharge from the tubing into the bucket or pan for 15 to 20 minutes. This should adequately flush the sanitization solution through the membrane. Close the cold water supply valve after this time. Reconnect the tubing to the storage tank valve. If the tubing end is scarred or scratched, cut away the damaged end before connecting it to the tank.

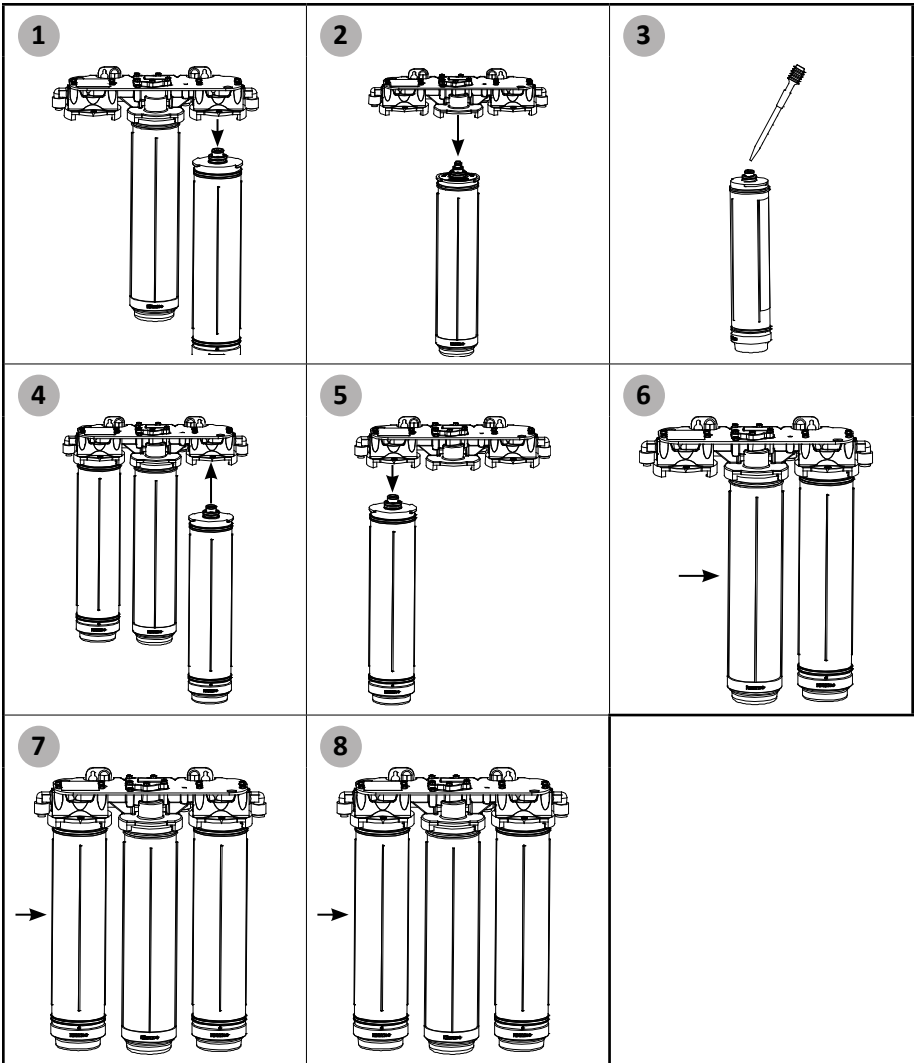
IMPORTANT: *You must properly rinse the membrane sanitizing solution from the membrane. DO NOT drink the water from the system during this rinsing procedure.*

NOTE: *The serial number is located on the data plate that is attached to the inside of the bracket cover. If your system is installed on a chlorinated water supply, use a high capacity carbon/sediment prefilter (Part No. 9461A) to remove the chlorine before the membrane. If your system is installed on a non-chlorinated water supply, use a sediment prefilter cartridge (Part No. 9309A).*

Using a carbon/sediment prefilter on an unchlorinated supply may cause a bacteria/odor problem.

A200 reverse osmosis systems can only be used for arsenic reduction on chlorinated water supplies containing detectable residual free chlorine at the system inlet. This chlorine must be removed with a high-capacity carbon/sediment prefilter (Part No. 9461A).

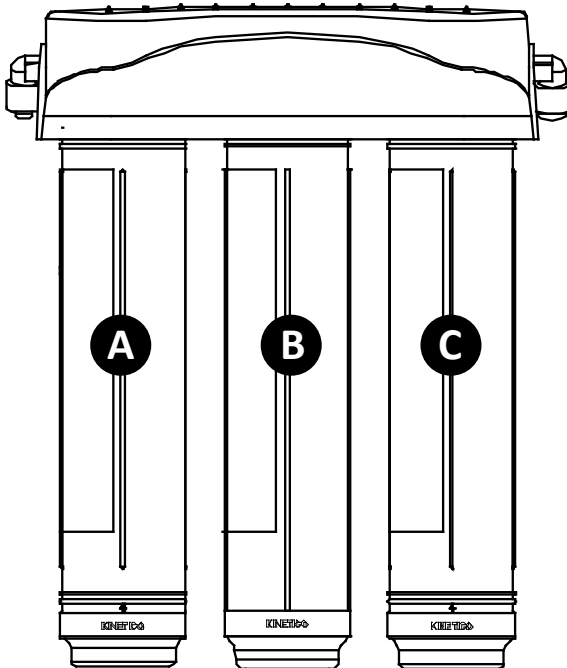
- I. Remove the sanitizer cartridge from the prefilter head on the left-hand side of the system and install the new prefilter cartridge **8**.
- J. Open the tap. Open the cold water supply valve.
- K. Open the valve on the tank. The tank should now be discharging water through the open drinking water tap. This will flush away any carbon fines from the new postfilter cartridge. When the flow slows to a drip, close the tap. Allow the system to fill the storage tank for several hours. Discard the water in the tank after this time. A four (4) tank flush is required per installation instructions. Allow the system to fill the tank and begin enjoying your clean, clear water.



Replacement Filter Cartridges

To ensure optimum performance, continued warranty coverage and that your system continues to comply with WQA certification standards, you must replace the prefilter and postfilter cartridges annually. Replace the RO membrane cartridge when the system stops adequately reducing TDS. TDS performance can be measured by your authorized Kinetico dealer. Use the following chart to determine which filters are appropriate for your system.

Location	Chlorinated Water Supply (City Water or Chlorinated Well)	Non-Chlorinated Water Supply (City Water or Chlorinated Well)
A Prefilter	High Capacity, Carbon / Sediment (Part No. 9461A)	Sediment (Part No. 9309A)
B RO Membrane	A200 RO Membrane Cartridge (Part No. 9428A)	
C Postfilter	Taste and Odor Postfilter (Part No. 9306B)	



System Specifications

TDS Maximum Level:	3000 ppm*
pH Range:	3-11
Pressure Ranges:	35-100 psi (241.3-689.5 kPa)
Temperature Range:	35°- 100°F (2°- 38°C)
Discharge Water/Product Water Ratio:	6 to 1
Rated Service Flow:	1.0 gpm (4.5 Lpm)
Rated Filter Capacity (postfilter):	500 gal (1892.7 L)
Typical Daily Production Rate:	10.9 gpd (41.3 L)
Maximum Daily Production Rate:	30 gpd** (113.5 L)

* Note: TDS levels above 1,500mg/L must have greater than 50 psi.

** Manufacturer’s calculated max. rate with open storage tank, ideal inlet water pressure of 100 psi, temperature of 98°F and 100 ppm TDS conditions.



The A200 Drinking Water System is tested and certified by WQA against NSF/ANSI Standard 42 and 58 for the reduction of claims specified on the Performance Data Sheet. Also conforms to CSA Standard B483.1 - Drinking Water Treatment Systems (Refer to the Performance Data Sheet for individual contaminants and reduction performance).

Maintenance Record

A200 Drinking Water System Serial Number: _____

Prefilter Type: _____

Date	Prefilter Changed	Postfilter Changed	Membrane Changed	TDS of Treated Water	Sanitized

Dealer Name: _____

Dealer Address: _____

Web Address: _____

Email Address: _____

Dealer Phone: _____

Salesperson's Name: _____

Serial Number: _____

Other Equipment: _____

Model Number: _____

Date Installed: _____

Number of People in Household: _____

Hardness: _____ gpg

Ferrous Iron: _____ ppm

Ferric Iron: _____ ppm

pH: _____

TDS: _____ ppm

Temperature: _____

Pressure: _____

Hydrogen Sulfide (H₂S): _____ ppm

Notes

A200 système d'eau de boisson

Guide d'utilisation



Nous vous félicitons d'avoir choisi A200 par Kinetico, système d'eau de boisson pour améliorer la qualité de votre eau. Vous remarquerez immédiatement les nombreux avantages s'offrant à vous lorsqu'une eau de qualité est disponible dans votre maison, ainsi que les avantages spécifiques au système d'eau de boisson A200.

Depuis 1970, la société Kinetico conçoit et fabrique des produits qui améliorent la qualité de l'eau. Kinetico offre une gamme complète de systèmes purificateurs d'eau pouvant régler tous vos problèmes d'eau de boisson. Pionnière dans le traitement de l'eau sur demande sans électricité, la société Kinetico montre continuellement la direction à suivre à toute l'industrie de purification de l'eau.

Table des matières

À propos de A200 par Kinetico, système d'eau de boisson	F3
Conseils pour la consommation d'une eau de qualité supérieure	F3
Fonctionnement de votre système d'eau de boisson A200	F4
Accessoires du système.....	F6
Entretien de votre système d'eau de boisson A200	F7
Arrêt du système.....	F7
Pompes de pressurisation.....	F7
Durée des filtres.....	F7
Procédure de désinfection	F8
Remplacement des cartouches filtrantes.....	F11
Spécifications du système	F12
Journal d'entretien	F13

KINETICO INCORPORATED

10845 Kinsman Rd.
Newbury, Ohio, 44065
USA
www.kinetico.com

KINETICO CANADA INCORPORATED

21 Parr Blvd., Unit 10
Bolton, ON L7E 4G3
Canada
www.kinetico.com

KINETICO DENMARK

ApS
Sandvadsvej7
4600 Køge
Denmark

KINETICO UK LIMITED

Bridge House
Park Gate Business Centre
Chandler's Way
Park Gate SO 31 1FQ
England
www.kinetico.co.uk

KINETICO FRANCE

Sarl
B.P. 80528 Osny
95528 Cergy-Pontoise Cedex
France
www.kinetico.fr

KINETICO GERMANY GMBH

Bunzlauerstrasse 12-D
Höher-Grenzhausen
Germany 56203

À propos de A200 par Kinetico, système d'eau de boisson



L'eau est le liquide le plus important de toute la terre. De plus, bien que l'eau utilisée pour boire et cuisiner représente moins de 1% de toute l'eau utilisée dans un domicile, sa qualité est probablement d'une grande importance pour vous.

Les experts suggèrent que vous buviez environ huit verres d'eau de 250 ml par jour. Maintenant que vous possédez un système d'eau de boisson A200, vous êtes assuré de toujours avoir une eau propre, de qualité supérieure, ayant également bon goût. Grâce un système d'eau de boisson A200, la consommation de vos huit verres d'eau quotidiens sera un plaisir, jamais une corvée.

Conseils pour la consommation d'une eau de qualité supérieure

Puisque le système d'eau de boisson A200 réduit considérablement la teneur en métaux lourds (par exemple, le plomb), en produits chimiques et en minéraux*, tout en éliminant les odeurs et le goût désagréable de l'eau, voici certaines modifications que nous vous suggérons d'apporter à vos habitudes lorsque vous utilisez l'eau de boisson A200.

*Les contaminants énumérés ne se retrouvent pas nécessairement dans votre eau.

1 *Laissez vos papilles gustatives décider de votre consommation en eau.*

Lorsque vous mélangez des boissons ou des jus concentrés, ainsi que lorsque vous ajoutez de l'eau pour fabriquer une gelatine, du café ou du thé, il est possible que vous deviez changer les volumes d'eau utilisés. Il se peut que vous ayez besoin d'utiliser moins de thé ou de café pour avoir un bon goût. En ce qui concerne les boissons concentrées, il est possible que vous puissiez ajouter plus d'eau sans avoir de goût « dilué ». En outre, vous n'aurez sans doute plus besoin de détartrer votre machine à café avec du vinaigre, comme le recommande le fabricant.



2 L'eau de boisson A200 est idéale pour la cuisine et les pâtisseries.

N'oubliez pas d'utiliser l'eau votre système d'eau de boisson A200 lorsque vous faire cuire des pâtes ou que vous lavez vos fruits et légumes. Dès qu'une recette comporte de l'eau, dirigez votre main vers le robinet spécial A200.

3 Utilisez l'eau de boisson A200 dans votre fer à repasser, ainsi que dans les petits humidificateurs ou vaporisateurs.

Pour prolonger la longévité de vos appareils et en faciliter l'entretien, utilisez de l'eau A200 dans votre fer à repasser et dans les petits humidificateurs. Vous n'aurez plus besoin d'acheter de l'eau distillée ni à supporter les inconvénients de l'eau municipale. Puisque l'eau produite par votre système A200 affiche une teneur réduite en minéraux, elle est idéale pour ces petits électroménagers et elle est disponible directement dans votre cuisine.

4 Faites vos cubes de glace avec de l'eau de boisson A200.

Si votre réfrigérateur est équipé d'une machine à glace, songez à installer une canalisation entre votre système A200 et la machine à glace. Si vous n'avez pas de machine à glace, n'oubliez pas de remplir vos bacs à glace avec de l'eau de boisson A200. Quel que soit votre équipement, vous pourrez toujours avoir des cubes de glace plus transparents, sans arrière-goût.

5 Les plantes et les animaux de compagnie aiment aussi l'eau de boisson A200.

N'oubliez pas vos plantes et vos animaux. Tout comme vous, ils adorent l'eau de boisson A200.



Fonctionnement de votre système d'eau de boisson A200

Le système d'eau de boisson A200 comporte cinq niveaux de protection pour garantir que vous ayez toujours une bonne eau propre. Le système réduit considérablement la teneur en métaux lourds, en produits chimiques et en minéraux, tout en éliminant les odeurs et le goût douteux que peut avoir votre eau. Consulter la fiche technique de performances pour obtenir plus de détails sur chacun des contaminants et sur les performances de réduction.

Étape 1 – Le préfiltre

La première étape de filtration, réalisée avec le préfiltre (Pièce n°: sédiment 9309A, charbon/sédiment 9461A), prépare l'eau pour le processus d'osmose inverse. Le filtre avec des pores de cinq microns retient les sédiments et les petites particules, afin de protéger la membrane d'osmose inverse et d'en maximiser l'efficacité.

Étape 2 – La membrane à osmose inverse

Après la préfiltration, l'eau se dirige vers la cartouche contenant la membrane d'osmose inverse, où sera effectué le premier nettoyage. Ici, l'eau est poussée par pression dans une membrane semi-perméable. Cette membrane permet d'éliminer une bonne partie des minéraux, produits chimiques et corps étrangers pouvant se retrouver dans votre eau.

Étape 3 – Le réservoir de stockage

Lorsque l'eau a été traitée, elle est conservée dans un réservoir jusqu'au moment de son utilisation. Pour éviter que l'eau ne devienne stagnante, elle circule dans le réservoir.

Étape 4 – L'épurateur de post-filtre

Lorsque l'eau quitte le réservoir, elle se dirige vers un post-filtre (Pièce n°9306B). Contenant du charbon actif, le post-filtre ajoute une touche finale au traitement de l'eau, réduisant sa teneur en chlore, en plus d'éliminer les odeurs et le goût désagréable, s'il y a lieu.

Étape 5 – Le robinet

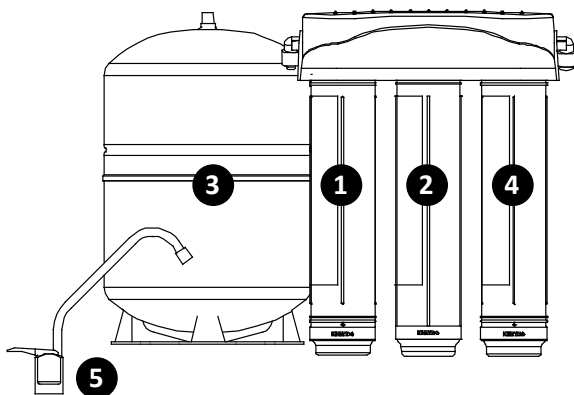
La dernière protection est un robinet spécial sans plomb, installé sur votre évier. Grâce à ce robinet, vous êtes assuré qu'aucune particule de plomb sera ajoutée à votre eau de boisson après son traitement.

Le fonctionnement sur demande permet d'avoir une efficacité maximale

Les systèmes d'eau de boisson A200 fonctionnent sur demande, sans électricité, ce qui signifie qu'ils fonctionnent selon vos besoins. Grâce à ce fonctionnement sur demande, les systèmes d'eau de boisson A200 produisent une eau de boisson de qualité supérieure, tout en optimisant la consommation en eau.

Le système d'arrêt automatique permet d'économiser l'eau

Lorsque le réservoir est plein, votre système d'eau de boisson A200 s'arrête automatiquement. Il recommencera à produire de l'eau uniquement lorsque le réservoir sera presque vide. Grâce à ce vidage successif du réservoir, vous êtes assuré d'avoir une eau fraîche au goût agréable, sans qu'il soit nécessaire d'avoir une production d'eau continue et inutile. Contrairement à d'autres systèmes, l'eau traitée n'est pas constamment envoyée aux égouts.



Les cartouches filtrantes à débranchement rapide facilitent l'entretien

Le filtre du système de purification d'eau potable A200 se change en un clin d'œil. Après avoir complètement dépressurisé le système, changez les cartouches en les tournant simplement d'un quart de tour et en les tirant vers le bas. Des instructions détaillées sont fournies avec chaque cartouche de rechange. Des renseignements supplémentaires sont fournis dans ce manuel d'utilisation sous la rubrique « Remplacement de filtre ».



Accessoires du système

Votre système peut également être équipé des accessoires suivants, disponibles auprès de votre détaillant local Kineticco.

Robinets sans plomb avec finition décorée

Le robinet décoré s'utilise comme un robinet chromé standard. Vous n'avez qu'à abaisser la poignée pour faire sortir de l'eau. Des robinets décoratifs sont proposés en chrome classique, nickel satiné/inoxydable, nickel brillant, bronze huilé, laiton poli, blanc arctique, biscuit clair et réglisse noire.

Réservoir grande capacité*

Un réservoir plus grand permet à une grosse famille de disposer de plus d'eau, mais il fonctionne exactement comme un réservoir standard. Aucune opération spéciale n'est nécessaire sur votre système. Dégustez simplement votre eau claire et propre.

*Les accessoires du système ne sont pas certifiés WQA.

Entretien de votre système d'eau de boisson A200

REMARQUE: Pour que votre système d'eau de boisson A200 fonctionne bien, suivez toujours les instructions d'utilisation, d'entretien et de remplacement. Pour que le produit dure longtemps, la dureté de l'eau devrait être entre 0 et 10 gpg. Le système ne doit pas être utilisé si l'eau est impropre à la consommation ou d'une qualité inconnue. Les systèmes réducteurs de kystes peuvent être utilisés pour traiter de l'eau désinfectée contenant des kystes filtrables.

Pour fournir longtemps de l'eau de qualité supérieure, il est important que le système d'eau de boisson A200 soit bien entretenu.

Arrêt du système

Si vous découvrez un problème affectant votre système d'eau de boisson, coupez l'alimentation en eau du système, puis demandez l'aide de votre détaillant Kinetico agréé. Si vous prévoyez quitter votre domicile pendant plusieurs jours, coupez l'alimentation en eau de votre système pour en accroître la longévité. A votre retour, vous pouvez également vider le réservoir d'eau de boisson pour garantir la fraîcheur de l'eau consommée.

Pompes de pressurisation

Dans certains domiciles, il est nécessaire d'installer une pompe de pressurisation pour garantir que l'eau arrive au système avec une pression suffisante. Avant d'exécuter une opération d'entretien sur votre système, n'oubliez pas de débrancher ou de coupez l'alimentation électrique de ces pompes.

Durée des filtres

Une famille moyenne de quatre personnes ayant une consommation d'eau moyenne peut s'attendre à ce que le préfiltre et les cartouches de post-filtration durent environ de neuf à douze mois. La société Kinetico recommande de remplacer ces cartouches au moins une fois l'an. La cartouche contenant la membrane d'osmose inverse devrait être remplacée dès que le système cesse de réduire normalement la teneur en solides dissous.

Votre détaillant Kinetico agréé est en mesure de remplacer les cartouches filtrantes usées, de complètement désinfecter votre système, de vérifier la qualité de votre eau et de vérifier le bon fonctionnement de votre système. Si vous décidez de remplacer vous-même des cartouches usées, suivez attentivement les instructions. Ne tentez jamais d'enlever une cartouche du système sans auparavant dépressuriser le système. Pour éviter toute contamination après un contact humain, n'oubliez pas de complètement désinfecter votre système en suivant les instructions indiquées sous « Procédure de désinfection », plus loin dans ce manuel.

Procédure de désinfection

Si vous décidez de remplacer vous-même des cartouches usées sur votre système d'eau de boisson A200, vous devez utiliser une trousse de désinfection disponible chez votre détaillant Kinetico. Suivez les instructions fournies et désinfectez complètement votre système. Lavez-vous soigneusement les mains et ne touchez à aucun composant interne du système. N'oubliez pas que vous pouvez toujours demander à votre détaillant Kinetico de remplacer les filtres usés, de désinfecter votre système et d'analyser votre eau pour garantir qu'elle est de la meilleure qualité.

AVERTISSEMENT: Pour éviter les blessures et les dommages matériels, ce système doit être correctement dépressurisé avant d'enlever une cartouche ou tout autre composant.

REMARQUE: Lorsque vous vous apprêtez à déconnecter et désinfecter votre système, préparez-vous à récupérer des écoulements d'eau.

- A. Enlevez le couvercle décoratif. Fermez le robinet d'arrivée de l'eau froide. Ouvrez le robinet d'eau de boisson pour vider le réservoir. Avant de continuer, attendez qu'il n'y ait plus aucun débit d'eau sortant du robinet d'eau de boisson (il faudra peut-être plusieurs minutes).
- B. Enlevez les cartouches de préfiltration et de post-filtration ①. Lorsque vous enlevez les cartouches, préparez-vous à récupérer des écoulements accidentels d'eau. Jetez les vieilles cartouches. Enlevez la cartouche contenant la membrane, au centre du support ②. Rincez cette cartouche dans un bac ou un évier, puis conservez-la pour la réinstaller plus tard.
- C. Remplissez les cartouches de désinfection au 3/4 avec de l'eau propre. Ajoutez une mesure (5 ml) d'eau de Javel ordinaire, non parfumée (5.25% d'hypochlorite de sodium) au centre de chaque cartouche ③. Installez les cartouches de désinfection dans les têtes du préfiltre, du post-filtre et de la membrane ④.
- D. Fermez le robinet d'eau de boisson. Assurez-vous que le robinet du réservoir est ouvert. Ouvrez lentement le robinet d'arrivée de l'eau froide et laissez l'eau chlorée remplir le réservoir pendant environ cinq minutes.
- E. Fermez le robinet d'arrivée de l'eau froide et le robinet du réservoir. Ouvrez le robinet de l'évier pour dépressuriser le système. Enlevez les cartouches de désinfection ⑤. Préparez-vous à récupérer des écoulements d'eau en enlevant les cartouches. Videz les cartouches. Mettez une cartouche de côté pour l'utiliser dans l'étape G. Conservez les deux autres cartouches de désinfection pour une utilisation future. Fermez le robinet de l'évier.
- F. Installez une nouvelle cartouche de post-filtration dans la tête de post-filtration, sur le côté droit du collecteur. Installez la cartouche membrane au centre du collecteur ⑥.

- G. Mélangez 1/3 tasse d'eau propre avec une cuillère à thé égalisée de « Iron Out » ou de métabisulfite de sodium. Ajoutez cette solution à la cartouche de désinfection mise de côté dans l'étape E ci-dessus. Vous pouvez utiliser un petit entonnoir domestique en plastique ou le videur fourni dans la trousse de désinfection Kinetico pour ajouter la solution dans la cartouche. N'oubliez pas de laver à fond l'entonnoir avant de l'utiliser pour autre chose. Ajoutez suffisamment d'eau propre dans la cartouche pour la remplir, puis installez-la dans la tête de préfiltration 7.
- H. Déconnectez le tuyau sortant du robinet du réservoir, puis placez l'extrémité du tuyau dans un seau ou un bac. Ouvrez le robinet d'arrivée de l'eau froide et laissez l'eau se vider dans le seau ou le bac pendant 15 à 20 minutes. Cette opération devrait bien faire passer la solution de désinfection au travers de la membrane. Après ce délai, fermez le robinet d'arrivée de l'eau froide. Reconnectez le tuyau sur le robinet du réservoir. Si l'extrémité du tuyau est rayée ou entaillée, coupez la partie endommagée avant de raccorder le tuyau au réservoir.

IMPORTANT: La solution de désinfection de la membrane doit être bien rincée sur la membrane. IL NE FAUT JAMAIS boire l'eau produite par le système durant la procédure de rinçage.

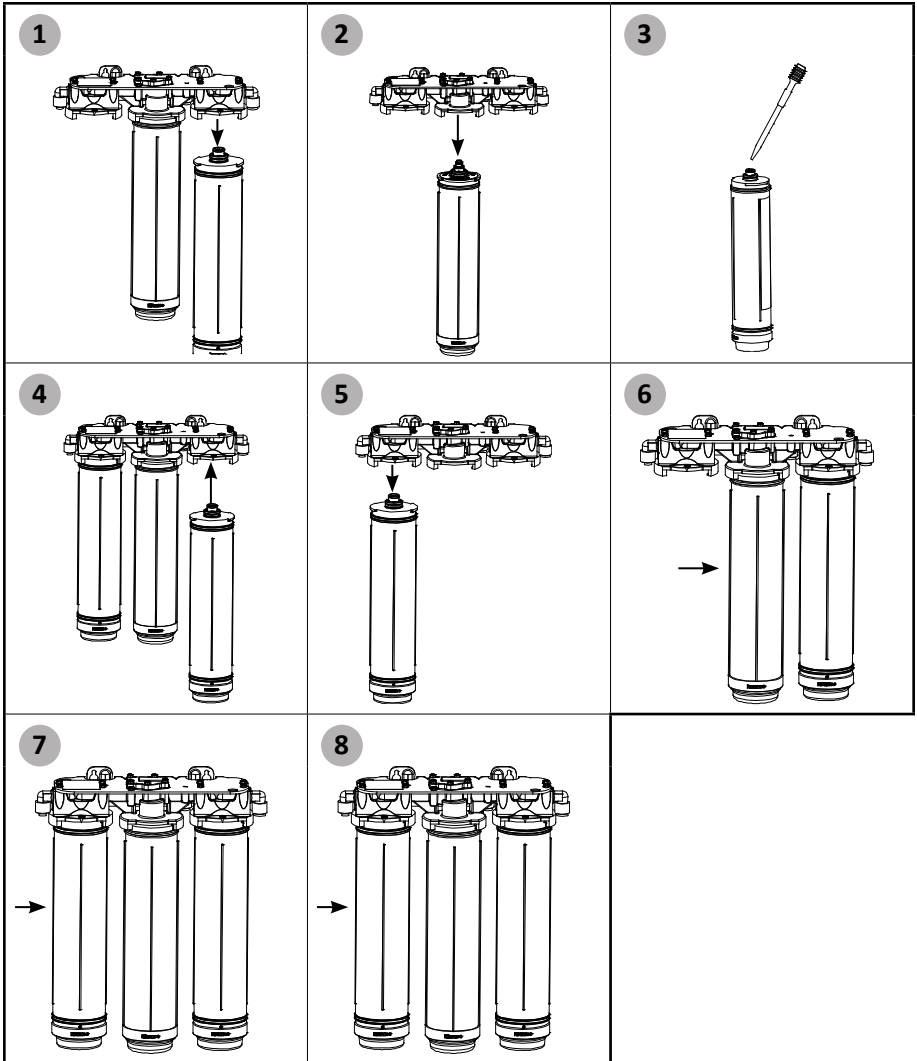
REMARQUE: Le numéro de série est indiqué sur la plaque signalétique fixée sur l'intérieur du couvercle du support. Si le système est installé sur une arrivée d'eau chlorée, utilisez un préfiltre charbon/sédiment à haute capacité (Pièce n° 9461A) pour enlever le chlore avant que l'eau n'atteigne la membrane. Si le système est installé sur une arrivée d'eau non chlorée, utilisez une cartouche de préfiltration à sédiment (Pièce n° 9309A).

L'utilisation d'un préfiltre charbon/sédiment sur une arrivée d'eau non chlorée peut provoquer un problème de bactéries et d'odeur.

Le système A200 à osmose inverse ne doit être utilisé que pour la réduction de la teneur en arsenic des approvisionnements d'eau chlorée dont la concentration résiduelle de chlore libre à l'entrée du système peut être détectée. Le chlore doit être éliminé au moyen d'un filtre à carbone/sédiment de grande capacité (Pièce n° 9461A).

- I. Enlevez la cartouche de désinfection installée sur la tête de préfiltration (côté gauche du système), puis installez la nouvelle cartouche de préfiltration 8.
- J. Ouvrez le robinet de l'évier. Ouvrez le robinet d'arrivée de l'eau froide.

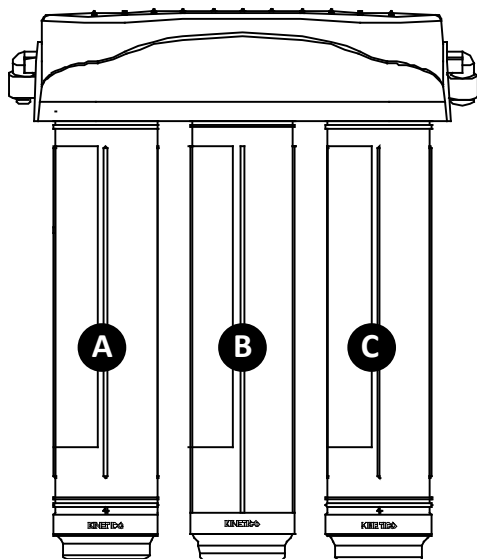
- K. Ouvrez le robinet du réservoir. Le réservoir devrait alors se vider par le robinet de l'évier. Cette opération devrait rincer les petites particules de charbon pouvant se détacher d'une nouvelle cartouche de post-filtration. Lorsque le débit devient un goutte à goutte, fermez le robinet de l'évier. Attendez plusieurs heures pour que le système puisse remplir le réservoir. Jetez ensuite l'eau accumulée dans le réservoir, puis remplissez de nouveau le réservoir et dégustez une bonne eau claire et propre.



Remplacement des cartouches filtrantes

Pour que le système vous offre des performances optimales, pour préserver la validité de la garantie et pour que votre système respecte les normes WQA, vous devez remplacer les cartouches de préfiltration et de post-filtration au moins une fois l'an. La cartouche contenant la membrane d'osmose inverse doit être remplacée dès que le système cesse de réduire efficacement les solides dissous. Vous pouvez surveiller le taux de TSD (total des solides dissous) avec un moniteur de performance Kinetico optionnel (Pièce n° 9062), s'installant directement sur le robinet de sortie, par un autre moniteur externe équivalent ou par votre détaillant Kinetico agréé. Le tableau ci-dessous indique les filtres convenant à votre système.

Emplacement	Arrivée d'eau Chlorée (eau de ville ou puits chloré)	Arrivée d'eau Non Chlorée (eau de ville ou puits chloré)
A Préfiltre	Haute capacité charbon/sédiment (Pièce n° 9461A)	Cartouche sédiment (Pièce n° 9309A)
B Membrane OI	Cartouche à membrane pour système A200 à osmose inverse (Pièce n° 9428A)	
C Post-filtre	Cartouche de goût et odeur (Pièce n° 9306B)	



Spécifications du système

Niveau maximum de TSD (ppm):	3000 ppm*
Plage de pH:	3-11
Plage de pression:	35-100 psi (241,3-689,5 kPa)
Alimentation en eau:	0-10 gpg (dureté) et 0 – 0,1 ppm (fer)
Plage de température:	35° - 100°F (2° - 38°C)
Capacité de production/décharge:	6 à 1
Débit nominal:	1,0 gallon/min (4,5 Lpm)
Capacité de filtration nominale (post-filtre):	500 gallons (1892 litres)
Production quotidienne typique:	10,9 gallons/jour (41,3 litres/jour)
Production quotidienne maximale:	30 gallons/jour** (113,5 litres/jour)

* Remarque : les niveaux de MDT supérieurs à 1 500 mg/l doivent avoir une pression supérieure à 50 psi.

** La capacité maximum à été calculée par le fabricant avec un réservoir ouvert, une pression d'admission idéale de 100 psi, une température de 98°F (32°C) et un TSD de 100 ppm.



Le système de purification d'eau potable A200 est testé et certifié par WQA afin de répondre aux normes 42 et 58 de la NSF/ANSI pour la réduction des réclamations spécifiées sur la fiche technique des performances. Se conforme également à la norme B483.1 de la CSA - Drinking Water Treatment Systems (Systèmes de traitement de l'eau potable) (Veuillez consulter la fiche technique des performances pour y trouver chaque contaminant et la performance du produit à cet égard).

Journal d'entretien

Numéro de série du système de purification d'eau potable A200: _____

Préfiltre recommandé: _____

Date	Remplacement			Teneur totale des solides dissous dans l'eau traitée	Désinfecté
	du préfiltre	du post-filtre	de la membrane		

Nom du distributeur: _____

Adresse du distributeur: _____

Site web: _____

Numéro de téléphone du distributeur: _____

Nom du vendeur: _____

Numéro de série du système: _____

Modèle installé: _____

Date d'installation: _____

Autre(s) équipement(s): _____

Nombre de membres du ménage: _____

Dureté: _____ gpg Fer ferreux: _____ ppm

Fer ferrique: _____ ppm pH: _____

TDS: _____ ppm Chlore: _____ ppm

Turbidité: _____ uTN

Sulfure d'hydrogène(H_2S): _____ ppm

REMARQUE

Sistema de agua potable A200

Manual del usuario



Lo felicitamos por haber elegido el sistema de agua potable A200 Kinetico para mejorar la calidad de su agua. Usted notará inmediatamente los numerosos beneficios de tener agua de buena calidad en toda su casa y las ventajas de tener un sistema de agua potable A200.

Desde 1970, Kinetico Incorporated ha diseñado y fabricado productos para mejorar la calidad del agua. Kinetico ofrece una línea completa de sistemas de agua de calidad para resolver sus problemas con el agua. Kinetico Inc., pioneros en el tratamiento de aguas con sistemas sin electricidad y activados de acuerdo a su demanda, está continuamente estableciendo la pauta de toda la industria de calidad del agua.

Indice de Contenidos

Acerca del sistema de agua potable A200 Kinetico	E3
Cómo usar el agua potable de gran calidad	E3
Cómo funciona el sistema de agua potable A200	E4
Accesorios del sistema	E6
Mantenimiento de su sistema de agua potable A200	E7
Cómo apagar el sistema	E7
Bombas reforzadoras	E7
Cambio de filtros	E7
Procedimiento de desinfección	E8
Reemplazo de los cartuchos de filtros	E11
Especificaciones del sistema	E12
Registro de mantenimiento	E13

KINETICO INCORPORATED

10845 Kinsman Rd.
Newbury, Ohio, 44065
USA
www.kinetico.com

KINETICO CANADA INCORPORATED

21 Parr Blvd., Unit 10
Bolton, ON L7E 4G3
Canada
www.kinetico.com

KINETICO DENMARK

ApS
Sandvadsvej7
4600 Køge
Denmark

KINETICO UK LIMITED

Bridge House
Park Gate Business Centre
Chandler's Way
Park Gate SO 31 1FQ
England
www.kinetico.co.uk

KINETICO FRANCE

Sarl
B.P. 80528 Osny
95528 Cergy-Pontoise Cedex
France
www.kinetico.fr

KINETICO GERMANY GMBH

Bunzlauerstrasse 12-D
Höher-Grenzhausen
Germany 56203

Acerca del sistema de agua potable A200 Kinético



El agua es el líquido más importante del mundo; y, aunque el agua que usted usa para beber y cocinar constituye menos del uno por ciento de todo el consumo de agua en su hogar, probablemente su calidad es lo más importante para usted.

Los expertos sugieren que usted beba aproximadamente ocho vasos de ocho onzas de agua al día. Ahora que usted tiene un sistema de agua potable A200, puede tener la seguridad de que está bebiendo agua pura de gran calidad y de excelente sabor. Con un sistema de agua potable A200, beber esos ocho vasos de agua será un placer, no una tarea rutinaria.

Cómo usar el agua potable de gran calidad

Como los sistemas de agua potable A200 reducen de manera considerable los metales pesados (tales como el plomo), los productos químicos, los minerales y los sabores y olores desagradables en el agua*, probablemente tendrá que hacer algunos ajustes cuando use agua potable A200.

*Las impurezas mencionadas no necesariamente se encuentran en su agua.

1 *Deje que sus papilas gustativas decidan cuánta agua usar.*

Cuando mezcle jugos y bebidas concentrados o prepare gelatina, té o café, quizás tenga que ajustar la cantidad de agua. Encontrará que puede usar menos cantidad de café o té y todavía obtener el sabor deseado. En el caso de bebidas concentradas, puede añadir más agua sin obtener un sabor aguado. Además, probablemente no tendrá necesidad de desincrustar su cafetera automática con vinagre, como se acostumbra recomendar.



2 *El agua potable A200 es ideal para cocinar y hornear.*

No se olvide de usar sistema de agua potable A200 para cocinar pasta y lavar frutas y verduras. Cada vez que una receta indique agregar agua, recurra a su llave de agua potable especial.

3 Use el agua potable A200 en las planchas y humidificadores/ vaporizadores pequeños.

Para funcionamiento prolongado y mantenimiento más fácil, use agua potable A200 en las planchas y humidificadores pequeños. Ahora ya no tendrá que comprar agua destilada ni sufrir las consecuencias de usar agua de la llave en las planchas y los humidificadores. Como el agua producida por su sistema tiene un contenido muy reducido de minerales, es ideal para usar en estos electrodomésticos y la tiene disponible directamente en el fregadero de su cocina.

4 Cubos de hielo con agua potable A200.

Si su refrigerador/congelador está equipado con máquina de hacer hielo, le convendría conectar una tubería entre su sistema y la máquina de hacer hielo. Si no tiene máquina de hacer hielo, llene las cubetas con agua potable A200. De cualquier manera, podrá disfrutar de cubos de hielos de mejor sabor y más transparentes.

5 A las plantas de interior y a las mascotas también les agrada el agua potable A200.

No se olvide de sus plantas y mascotas. Igual que usted, a ellos les encanta el agua potable A200.



Cómo funciona el sistema de agua potable A200

Los sistemas de agua potable A200 ofrecen cinco etapas de purificación para asegurar que usted siempre cuente con agua pura y de buena calidad. El sistema reduce considerablemente los metales pesados, los productos químicos, los minerales y los sabores y olores desagradables que puedan haber en su agua. Consulte la hoja de datos de rendimiento para conocer los contaminantes individuales y la disminución del rendimiento.

Etapa 1 – Prefiltro

La primera etapa de filtración, el prefiltro (No. de Pieza: 9309A de sedimentos, 9461A de carbón/sedimentos), prepara el agua para el proceso de ósmosis inversa. El filtro de cinco micras atrapa los sedimentos y las partículas pequeñas, protegiendo la membrana de ósmosis inversa y mejorando su rendimiento.

Etapa 2 – Membrana de ósmosis inversa

Después de la prefiltración, el agua se dirige al cartucho de membrana de ósmosis inversa donde se realiza la limpieza primaria. Aquí, el agua es empujada a presión a través de una membrana semipermeable. Muchos o la mayoría de los minerales, productos químicos o materia desagradable que puedan haberse encontrado en el agua son descargados al desagüe.

Étape 3 – Le réservoir de stockage

Después de ser tratada, el agua queda almacenada en un depósito o tanque hasta el momento que la necesite. Para mantener el agua siempre fresca, se le mantiene circulando dentro del depósito de almacenamiento.

Etapa 4 – Postfiltro clarificador

Después de salir del depósito, el agua se dirige al post-filtro (No. de Pieza 9306). Gracias a su contenido de carbón activado, el post-filtro le da un toque final al agua, reduciendo el cloro y otros sabores y olores desagradables.

Etapa 5 – Grifo

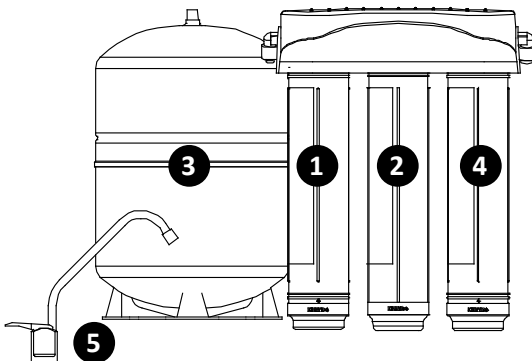
La etapa de protección final es una llave o grifo especial sin plomo, instalada en su fregadero. Con esta llave, usted puede tener la seguridad de que su agua potable no volverá a contaminarse con plomo.

El funcionamiento activado de acuerdo a su demanda de agua representa mayor eficiencia

Los sistemas de agua potable A200 funcionan sin electricidad y activados por demanda de agua, lo cual significa que funcionan según las necesidades del usuario. Activados por demanda de agua, los sistemas de agua potable A200 producen agua potable de gran calidad, mientras maximizan la eficiencia y el rendimiento del agua.

El apagado automático del sistema conserva agua

Cuando el depósito de almacenamiento se llena, el sistema de agua potable A200 se apaga. Sólo comenzará a tratar el agua nuevamente cuando el depósito esté casi vacío. Esta función de renovación del depósito asegura agua más fresca y de mejor sabor e impide la producción de agua continua innecesaria. A diferencia de otros sistemas, el agua tratada no está siendo descargada constantemente al desagüe.



Los cartuchos del filtro de desconexión rápida facilitan el mantenimiento

Cambiar el filtro es trabajo fácil con el Sistema de agua potable A200. Después de despresurizar el sistema por completo, solo debe darle un cuarto de vuelta al cartucho y halarlo hacia abajo para cambiarlo. Las instrucciones detalladas vienen con cada cartucho de repuesto. En la sección "Cambio de filtro" de este manual encontrará más información.



Accesorios del sistema

Su sistema también puede incluir las mejoras siguientes, las que podrá adquirir de su concesionario autorizado de Kinetico.

Llaves decorativas sin plomo

Use su llave decorativa igual que sus llaves cromadas corrientes. Simplemente oprima el mando para abrir la llave y sacar agua. Levante el mando y trábelo en su lugar mientras llena las ollas grandes. Los grifos decorativos vienen en cromado clásico, níquel satinado o inoxidable, níquel brillante, bronce bruñido con aceite, latón pulido, blanco ártico, bizcocho claro y regaliz negro.

Depósito de almacenamiento de "sobretamaño"*

Un depósito de almacenamiento de mayor tamaño suministra más cantidad de agua sobre demanda para familias más numerosas, pero funciona igual que un depósito estándar. No tiene que hacerle ninguna modificación especial a su sistema. Simplemente disfrute de agua potable pura y cristalina.

*El accesorio del sistema no tiene la certificación de la Asociación de Calidad del Agua (WQA).

Mantenimiento de su sistema de agua potable A200

NOTA: Para asegurar el buen funcionamiento del sistema, es necesario seguir todas las instrucciones de manejo, mantenimiento y reemplazo del sistema de agua potable A200. Para prolongar la vida útil del producto, es recomendable una dureza de cero a 10 gpg. No lo use en lugares donde el agua es microbiológicamente peligrosa o con agua de calidad desconocida. Es posible usar sistemas que indican ser reductores de quistes en el agua desinfectada que contenga quistes filtrables.

Para continuar suministrando agua potable de buena calidad es necesario mantener correctamente el sistema de agua potable A200.

Cómo apagar el sistema

En caso de llegar a descubrir algún problema en su sistema de agua potable, cierre el suministro de agua al sistema. Luego llame al concesionario autorizado de Kinetico para solicitar servicio técnico. Si tiene planeado estar fuera de casa por varios días, cierre el suministro de agua al sistema para prolongar su vida útil. También le conviene vaciar el depósito de almacenamiento de agua potable cuando regrese a casa para tener agua más fresca.

Bombas reforzadoras

En algunos hogares es necesario instalar bombas reforzadoras para asegurar que se suministre una presión de alimentación adecuada al sistema. Desenchufe o cierre el suministro eléctrico a las bombas antes de intentar reparar o hacer trabajos de mantenimiento en su sistema.

Cambio de filtros

Una familia compuesta de cuatro personas con un consumo promedio de agua potable puede anticipar una duración de los cartuchos de prefiltro y posfiltro de nueve meses a un año, aproximadamente. Kinetico recomienda reemplazar estos cartuchos anualmente. El cartucho de membrana de osmosis inversa debe reemplazarse cuando el sistema cesa de reducir debidamente los sólidos disueltos.

Su concesionario autorizado de Kinetico cambiará los cartuchos, desinfectará completamente el sistema, analizará el agua y asegurará que su sistema está funcionando correctamente. Si prefiere instalar usted mismo los cartuchos nuevos, siga todas las instrucciones al pie de la letra. No intente nunca retirar los cartuchos del sistema sin primero despresurizar el sistema. Para impedir la contaminación por contacto humano, asegúrese de desinfectar completamente su sistema de acuerdo a las instrucciones proporcionadas en la sección “Procedimiento de desinfección” en este manual del usuario.

Procedimiento de desinfección

Si prefiere cambiar usted mismo los cartuchos de su sistema de agua potable A200, deberá usar un conjunto o kit de desinfección obtenible en su concesionario de Kinetico. Siga estas instrucciones para desinfectar completamente su sistema. Lávese bien las manos y no toque ninguna parte interior del sistema. O llame a su concesionario autorizado de Kinetico quien puede cambiar los filtros necesarios, desinfectar su sistema y analizar el agua para asegurarse que sea de la mejor calidad.

ADVERTENCIA: Para evitar posibles lesiones y daños físicos, este sistema debe ser despresurizado antes de intentar retirar un cartucho u otros componentes.

NOTA: Esté preparado para recibir el agua cuando desconecte y desinfecte su sistema.

- A. Quite la cubierta decorativa. Cierre la llave de agua fría. Abra la llave de agua potable para vaciar el depósito de almacenamiento. Espere hasta que deje de salir agua por la llave abierta antes de continuar (esto tarda varios minutos).
- B. Retire los cartuchos de prefiltro y posfiltro ①. Esté preparado con un recipiente para recibir el agua que pueda derramarse al retirar los cartuchos. Deseche los cartuchos. Retire el cartucho de membrana del centro del conjunto de soporte ②. Vacíe este cartucho a un recipiente o el fregadero y guárdelo para volver a instalarlo más adelante.
- C. Llene los cartuchos de desinfección tres cuartas partes con agua limpia. Añada 1 cuentagotas (5 ml) de blanqueador de uso doméstico corriente sin fragancia (5.25% de hipoclorito sódico) al centro de cada cartucho ③. Instale los cartuchos de desinfección en las cabezas de prefiltro, posfiltro y membrana ④.
- D. Cierre la llave de agua potable. Asegúrese de que la llave del depósito de almacenamiento está abierta. Abra lentamente la llave de agua fría y deje que entre agua clorada al depósito de almacenamiento por cuatro a cinco minutos aproximadamente.
- E. Cierre la llave de agua fría y la llave del depósito de almacenamiento. Abra la llave para despresurizar el sistema. Retire los cartuchos de desinfección ⑤. Tenga preparado un recipiente para recibir el derrame accidental de esos cartuchos. Vacíe los cartuchos. Deje a un lado uno de los cartuchos para usarlo en el paso G. Guarde los otros dos cartuchos de desinfección para uso en el futuro. Cierre la llave.
- F. Instale el cartucho de posfiltro nuevo en la cabeza de posfiltro, ubicada en el lado derecho del múltiple de soporte. Instale el cartucho de membrana en el centro del conjunto de soporte ⑥.

- G. Mezcle 1/3 de taza de agua limpia con una cucharadita rasa de Iron Out o metabisulfito sódico. Añada esta solución al cartucho de desinfección restante en el paso E anterior. Para añadir la solución al cartucho puede usar un embudo de plástico pequeño o el cuentagotas suministrado en el conjunto de desinfección de Kinetico. Asegúrese de lavar bien el embudo antes de usarlo para cualquier otro propósito. Añada una cantidad suficiente de agua limpia a este cartucho hasta llenarlo e instálelo en la cabeza de prefiltro **7**.
- H. Desconecte el tubo de la llave del depósito de almacenamiento y coloque la punta del tubo en un balde o recipiente. Abra la llave de agua fría y deje que el agua del producto se descargue del tubo al balde o recipiente por unos 15 a 20 minutos. Este deberá descargar adecuadamente la solución desinfectante a través de la membrana. Después, cierre la llave de agua fría. Conecte nuevamente el tubo a la llave del depósito de almacenamiento. Si la punta del tubo está arañada o dañada, corte el extremo dañado y conéctelo al depósito.

IMPORTANTE: *La solución desinfectante de la membrana debe ser debidamente enjuagada de la membrana. NO beba el agua del sistema durante este procedimiento de enjuague.*

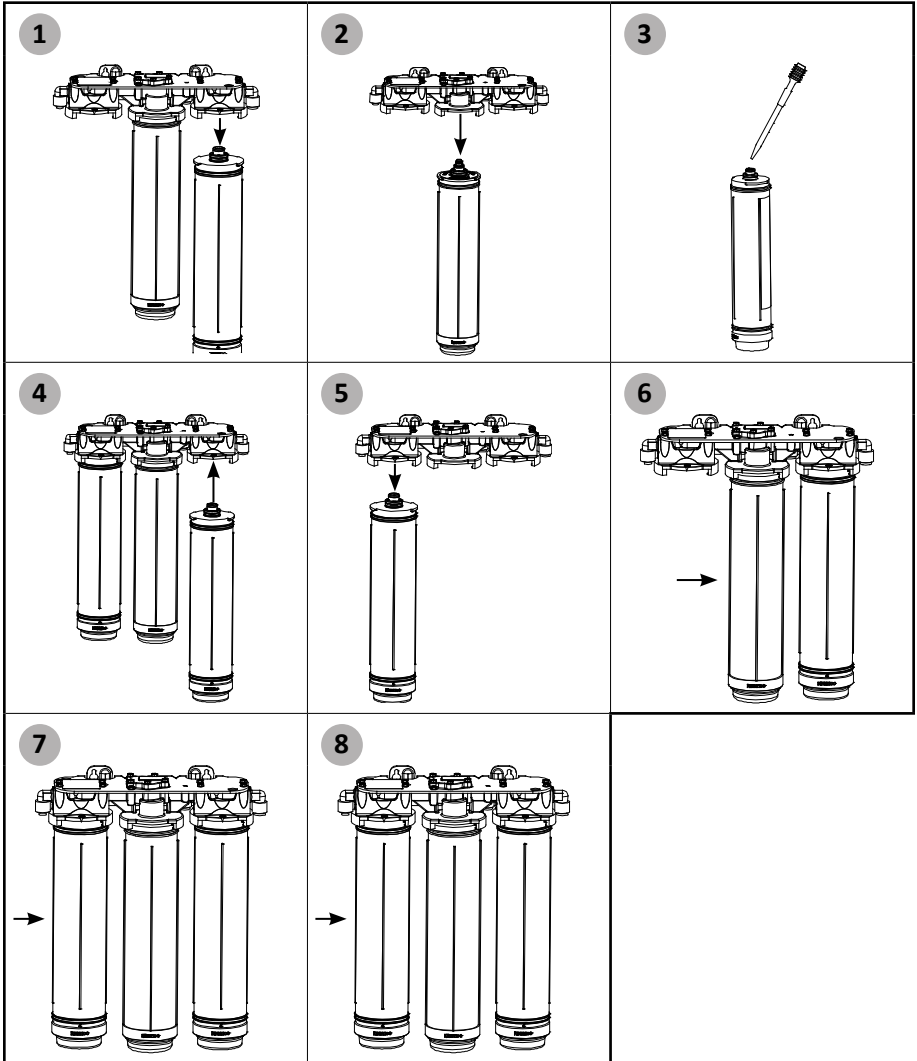
NOTA: *El número de serie se encuentra en la chapa de especificaciones añadida a la parte interior de la cubierta de soporte. Si se instala el sistema en un suministro de agua clorada, se deberá usar un prefiltro de carbón/sedimentos de alta capacidad (No. de Pieza 9461A) para eliminar el cloro antes de la membrana. Si se instala el sistema en un suministro de agua no clorada, se deberá usar un cartucho de prefiltro de sedimentos (No. de Pieza 9309A).*

El uso de un prefiltro de carbón/sedimentos en un suministro no clorado puede causar problemas de bacterias y olores.

Los sistemas de ósmosis inversa A200 sólo deben usarse para reducción de arsénico en suministros de agua clorada que contengan una cantidad libre residual de cloro capaz de ser detectada en la entrada del sistema. El cloro debe eliminarse con un prefiltro de carbón/sedimento de gran capacidad (No. de Pieza 9461A).

- I. Retire el cartucho de desinfección de la cabeza de prefiltro ubicada en el lado izquierdo del sistema e instale un cartucho de prefiltro nuevo **8**.
- J. Abra la llave. Abra la llave de agua fría.

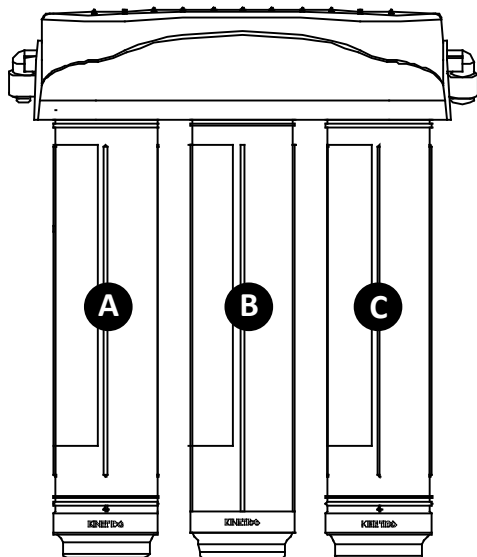
K. Abra la llave del depósito. Ahora, el depósito deberá descargar el agua por la llave de agua potable que está abierta. Esto descargará los finos de carbón del nuevo cartucho de posfiltro. Cuando el flujo se reduce a una gota, cierre la llave. Deje que el sistema llene el depósito de almacenamiento por varias horas. Después, deseche el agua del depósito. Se requiere vaciar el tanque cuatro (4) veces según las instrucciones de instalación. Deje que el sistema llene el depósito y luego comience a disfrutar de su agua pura y cristalina.



Reemplazo de los cartuchos de filtros

Para asegurar el funcionamiento óptimo, una cobertura de garantía continua y que su sistema continúe cumpliendo con las normas de certificación de WQA, usted debe reemplazar los cartuchos de prefiltro y post-filtro anualmente. Reemplace el cartucho de membrana de ósmosis inversa cuando el sistema cese de reducir adecuadamente el nivel de sólidos disueltos totales. El rendimiento TDS puede medirse por el concesionario autorizado de Kinetico. Utilice la tabla siguiente para determinar los filtros más apropiados para su sistema.

Posición	Suministro de agua clorada (Agua municipal o pozo clorado)	Suministro de agua no clorada (eau de ville ou puits chloré)
A Prefiltro	Cartucho de carbón/ sedimentos de alta capacidad (No. de Pieza 9461A)	Cartucho de sedimentos (No. de Pieza 9309A)
B Membrana de osmosis inversa	Cartucho de membrana de ósmosis inversa A200 (No. de Pieza 9428A)	
C Posfiltro	Posfiltro de sabor y olor (No. de Pieza 9306B)	



Especificaciones del sistema

Nivel máximo de Solidos Totales Disueltos (TDS):	3000 ppm*
Rango de pH:	3-11
Rango de presión:	35-100 psi (241.3-689.5 kPa)
Suministro de agua:	0-10 gpg (dureza) et 0 – 0.1 ppm (hierro)
Rango de temperatura:	35° - 100°F (2° - 38°C)
Relación agua descargada/ agua producida:	6 a 1
Caudal de servicio nominal:	1.0 galón/min (4.5 Lpm)
Capacidad nominal de filtro (posfiltro):	500 galones (1892.7 L)
Producción típica diaria:	10.9 galón/día (41.3 L)
Producción máxima diaria:	30.0 galón/día** (113.5 L)

* Nota: Los niveles de sólidos totales disueltos de más de 1,500 mg/l deben tener una presión mayor de 50 psi.

** Producción máx. calculada del fabricante con el depósito de almacenamiento abierto, condiciones ideales de presión de agua de entrada de 100 psi, temperatura de 98°F y TDS de 100 ppm.



El sistema de agua potable A200 ha sido probado y certificado por la WQA conforme a las Normas 42 y 58 de la Fundación Nacional para la Ciencia (NSF) y del Instituto Nacional Estadounidense de Estándares (ANSI) sobre las reducciones de demandas especificadas en la hoja de datos de rendimiento. También cumple con la Norma B483.1 de la Asociación Canadiense de Estándares (CSA): Sistemas de tratamiento de agua potable. (Consulte la hoja de datos de rendimiento para conocer los distintos contaminantes y la reducción del rendimiento).

Registro de mantenimiento

Número de serie del sistema de agua potable A200: _____

Prefiltro recomendado: _____

Fecha	Cambio			TDS de Agua Tratada	Desinfección
	de Prefiltro	de Posfiltro	de Membrana		

Nombre del concesionario: _____

Dirección del concesionario: _____

Dirección: _____

Dirección de E-mail: _____

Teléfono del concesionario: _____

Nombre del vendedor/vendedora: _____

Número de serie del sistema: _____

Otro equipo: _____

Modelo instalado: _____

Fecha de instalación: _____

Número de personas en la casa: _____

Dureza: _____ gpg Hierro Ferroso: _____ ppm

Hierro ferrico: _____ ppm pH: _____

TDS: _____ ppm Temperatura: _____

Presión: _____

Sulfuro de hidrógeno (H₂S): _____ ppm

Notas



© 2015 Kinetico Incorporated

Corporate Headquarters
10845 Kinsman Road
Newbury, Ohio 44065
www.kinetico.com

Part No. 13503B

Pièce n° 13503B

No. de pieza 13503B

09/2015